

XYR 6000 Wireless Universal I/O Transmitter – Multi AI/DI/DO

34-XY-03-36
December 2010

Specification and Model Selection Guide

Models:

STUW700 with HLAI, T/C and Discrete Input Capability Model

STUW701 with HLAI, T/C and Discrete Input and Output Capability

Introduction

Save time and money by eliminating the manual reading of field devices and by avoiding the cost of installing long runs of cable by using the XYR 6000 Wireless Universal I/O transmitter. In addition, improve monitoring capabilities by automating the collection of information from remote field devices with a flexible I/O transmitter that are either difficult or cost-prohibitive to reach.

The XYR 6000 Universal I/O transmitter was built on the tremendously successful ST 3000 series transmitter line. The two wireless universal I/O models include the STUW700 and STUW701.

The STUW700 Universal I/O Transmitter supports a total of three inputs which can be a combination of 1 to 3 high level analog inputs (0-20 mA/4- 20 mA) or 1 to 2 thermocouple inputs or 1 to 2 discrete inputs.

The STUW701 Universal I/O transmitter supports two inputs, which can be a combination of 1 to 2 high level analog inputs (0-20 mA/4-20 mA) or 1 to 2 thermocouple inputs or 1 to 2 discrete inputs plus one discrete output.

The XYR 6000 Wireless Universal I/O transmitter is a part of a broad series of transmitters under the XYR 6000 line of wireless products. Using XYR 6000 wireless transmitters, customers can obtain data to create information from remote and hazardous measurement locations without the need to run wires, where running wire can be cost prohibitive and/or difficult if the measurement is in a hazardous location. Without wires, transmitters can be installed and operational in minutes, quickly providing information back to your system.

The XYR 6000 Universal I/O transmitter is part of the Honeywell OneWireless system and are ISA100.11a compliant.

Each XYR 6000 transmitter is battery powered by two long-life "D" size lithium batteries. These batteries have an expected lifetime of up to ten years. Transmitter range with the integral antenna is 1,000 ft. (305 m) line of site (LOS) under ideal conditions.

XYR 6000 wireless transmitters send information to a ISA100.11a compliant MESH infrastructure. Wireless Data Managers (WDM) provides the path to bring that information into Experion PKS or any other control system wirelessly via OPC client or Modbus-TCP.



Figure 1—XYR 6000 Universal I/O Transmitters

Implement the value of wireless technology today:

- Measure remote access points simply, safe and securely
- Obtain and utilize previously inaccessible information due to high wiring cost or hazardous locations.
- Easily meet regulatory requirements
- Improve process efficiency
- Increase productivity by eliminating manual field readings of instruments

Specifications

Operating Conditions

Parameter	Reference Condition (at zero static)		Rated Condition		Operative Limits		Transportation and Storage	
	°C	°F	°C	°F	°C	°F	°C	°F
Ambient Temperature**	25 ±1	77 ±2	-40 to 85*	-40 to 185*	-40 to 85*	-40 to 185*	-40 to 85	-40 to 185
Humidity (%RH)	10 to 55		0 to 100		0 to 100		0 to 100	
Ambient Temperature LCD Display Visible Range	25 ±1	77 ±2	-40 to 85°C -40 to 185°F					
Vibration	Maximum of 4g over 15 to 200 Hz							
Shock	Maximum of 40g							
Power	Battery powered 3.6V Lithium thionyl chloride (LiSOCl ₂) batteries non rechargeable, size D 24 VDC Wired Power (option) - For I.S. Application: 21 V to 25 VDC Operated with MTL7728P+ barrier (252 Ohms Max. end to end resistance), Max input current 26 mA For Non I.S. application: 11 V to 30 VDC Input range, Max input current 100 mA							

*24V power option rated 80°C (176°F)

** The ambient limits shown are for ordinary non-hazardous locations only. Refer to the appropriate control drawing, FM/CSA, ATEX, or IECEx for the ambient limits when installed in hazardous locations.

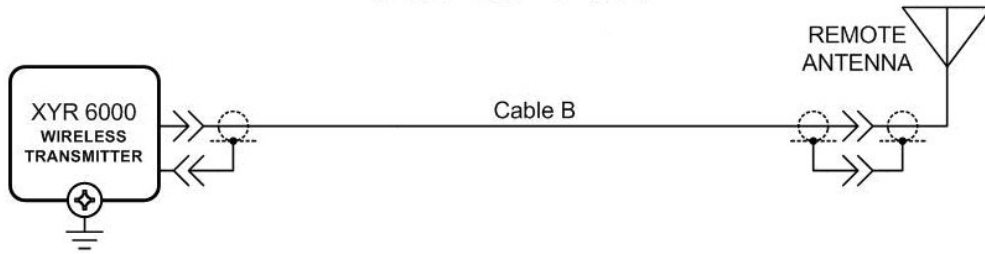
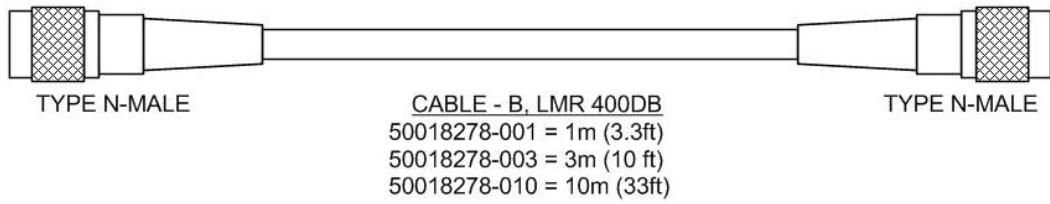
Wireless Specifications

Parameter	Description
Wireless Communication	2,400 to 2,4835 MHz (2.4 GHz) Industrial, Scientific and Medical (ISM) band DSSS Selection – Direct Sequential Spread Spectrum per FCC 15.247 / IEEE 802.15.4–2006. ISA100.11a Compliant (2.4 GHz Direct Sequence Spread Spectrum 802.15.4 DSSS-FH) Every data packet transmitted in either direction is verified (CRC check) and acknowledged by the receiving device USA – FCC Certified Canada – IC Certified European Union – RTTE/ETSI Conformity Japan – Ministry of Internal Affairs and Communications Certified (DSSS Selection only)
ISA100.11a RF Transmitter Power (Optional)	NA Selection – 125 mW (20.9 dBm) maximum transmit power not including antenna per FCC/IC, or 400 mW (26.0 dBm) maximum EIRP including antenna for USA and Canadian locations. EU Selection – 10 mW (10.0 dBm) maximum EIRP including antenna per RTTE/ETSI for EU locations. JP Selection – 12.14 dBm/MHz [32mW (15.14 dbm)] maximum EIRP including antenna for Japanese locations.
DSSS RF Transmitter Power (Optional)	NA Selection – 125 mW (20.9 dBm) maximum transmit power not including antenna per FCC/IC, or 400 mW (26.0 dBm) maximum EIRP including antenna for USA and Canadian locations EU Selection – 10 mW (10.0 dBm) maximum EIRP including antenna per RTTE/ETSI for EU locations. JP Selection – 12.14 dBm/MHz [32mW (15.14 dbm)] maximum EIRP including antenna for Japanese locations.
Data	PV Publish Cycle Time: Configurable as 1, 5, 10 or 30 seconds Rate: 250 Kbps

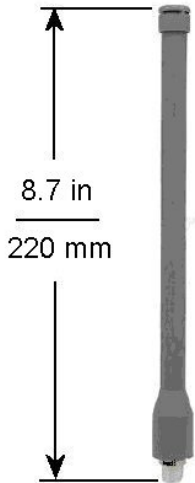
Parameter	Description
Antennas	Integral – 2 dBi omnidirectional monopole Integral – 4 dBi omnidirectional monopole Remote – 8 dBi omnidirectional monopole with up to 20 m cable and lightning surge arrester Remote – 14 dBi directional parabolic with up to 20 m cable and lightning surge arrester
Signal Range*	Nominal 305 m (1,000 feet) between field transmitter and infrastructure unit (Multinode) or gateway unit when using 2 dBi integral antenna with a clear line of sight* Two XYR 6000 transmitters both having TX Power set to 16 dBm with a clear line of site nominal signal range is 150 m (490ft.)
Routing vs Non-Routing	Unit can be set as a Field Routing or non-Field Routing device; the number of routing devices is set by the system manager. Using the device as a routing device will impact battery life, the more messages routed through a device, the greater the impact on battery life.

* Actual range will vary depending on antennas, cables and site topography.

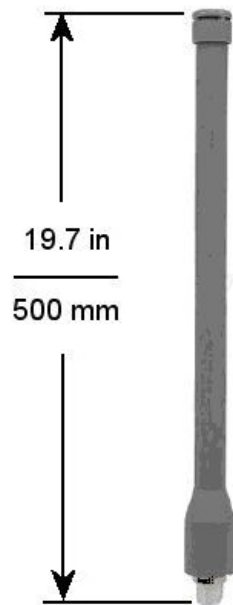
Remote antenna



CABLE PARAMETERS			LIGHTNING SURGE ARRESTOR PARAMETERS
CABLE B LENGTH	CAPACITANCE	INDUCTANCE	
1 m	78.4 pF	0.2 μH	CAPACITANCE = 1 pF INDUCTANCE = 10 nH
3 m	235.2 pF	0.6 μH	
10 m	784 pF	2.0 μH	



4 dBi Omnidirectional Antenna



8 dBi Omnidirectional Antenna



14 dBi Directional Antenna

Performance under Rated Conditions

Parameter	Description
Accuracy	+/-0.10% of range in mV at reference conditions for linear inputs
Temperature Effects	+/-0.01% of full scale per deg C
Stability	+/-0.10% of URL per year
Cold Junction Accuracy	+/-0.5 deg C
Stray Rejection	Common Mode (50 or 60 Hz): 120 dB Normal Mode (50 or 60 Hz): 40 dB
Maximum Lead Wire Resistance	50 ohms/leg for all analog input types
Discrete Input	Single SPST dry contacts. To maintain I.S. ratings, contacts must be limited to simple switches only. Maximum "ON" contact resistance of 300 Ohms, Minimum "OFF" contact resistance of 100K Ohms. Resistances must include all field wiring.
Discrete Output	AC/DC Voltage Supply 30 V max Load current = 0.5 A max
4-20 mA Input Loop Resistance	24.9 Ohms
Battery Life with Digital Output	50% Duty cycle - Approximately 1 year
Lightning Surge Arrester (Remote antenna only)	Frequency range: 0 – 3 GHz, 50 Ohms, VSWR = 1:1.3 Max, Insertion Loss = 0.4 dB Connectors Type N Female, Max. Gas Tube Element: 90 V ± 20%, Impulse Breakdown Voltage = 1,000 V ± 20%, Maximum Withstand Current = 5 KA
CE Conformity	These transmitters conform with the protection requirements of European Council Directives: 89/336/EEC, the EMC Directive and 1999/5/EC, the Telecommunications Directive per EN 300 328, V1.6.1 (2004-11), EN 300 489-1, V1.6.1 (2005-09), EN 300 489-3, V1.4.1 (2002-08) and EN 61326-1997+A1+A2, Electrical Equipment for Measurement, Control and Laboratory Use – EMC Requirements
Hazardous Location Certifications	See the Model Selection Guide on page 7

Performance specifications are based on reference conditions of 25°C (77°F), zero (0) static pressure, and 10 to 55% RH.

Physical Specifications

Parameter	Description
Mounting Bracket	Carbon Steel (Zinc-plated) or Stainless Steel angle bracket or Carbon Steel flat bracket available (standard options).
Terminal Assembly Wiring Gauge Range	28 to 16
Electronic Housing	Epoxy-Polyester hybrid paint. Low Copper-Aluminum. Meets NEMA 4X (hosedown and corrosion resistant), IP 66/67 (hosedown and submersible to 1m).
Stainless Steel Housing (option)	316 SS Electronics Housing - with M20 Conduit Connections 316 SS Housing with 1/2" NPT Conduit Connection 316 SS or Grade CF8M, the casting equivalent of 316 SS with M20 or 1/2" NPT Conduit Connection. If ordered with the Remote Antenna options, the antenna parts are not SS or Marine type cables; the integral antenna uses SS parts.
Mounting	Can be mounted in virtually any position using the standard mounting bracket. Mounting should result in the antenna being vertically oriented. Bracket is designed to mount on 2-inch (50 mm) vertical or horizontal pipe. See Figure 3.
Dimensions	See Figure 4
Net Weight	Approximately 9 pounds (4.1 Kg)

STUW700

The Universal I/O transmitter can be configured using the wireless system's user interface channel instantiation capability, for the following channel I/O combinations, according to model number.

Channel 1	Channel 2	Channel 3
DI	DI	HLAI
DI	HLAI	HLAI
DI	T/C or mV	HLAI
HLAI	DI	HLAI
HLAI	HLAI	HLAI
HLAI	T/C or mV	HLAI
T/C or mV	DI	HLAI
T/C or mV	HLAI	HLAI
T/C or mV	T/C or mV	HLAI

STUW701

Channel 1	Channel 2	Channel 3
DI	DI	DO
DI	HLAI	DO
DI	T/C or mV	DO
HLAI	DI	DO
HLAI	HLAI	DO
HLAI	T/C or mV	DO
T/C or mV	HLAI	DO
T/C or mV	DI	DO
T/C or mV	T/C or mV	DO

- Up to 2 T/C, millivolt or DI (contact closure) channels
- Channel 3 must be HLAI (STUW700) or DO (STUW701)
- T/C and millivolt ranges
 - Thermocouple (B, E, J, K, N, R, S, T) (*all models*)
 - mV (0 to 10, 0 to 50, 0 to 100) (*all models*)
- HLAI input ranges
 - Current only (0-20 mA, 4-20 mA) (*all models*)

The transmitter measures the analog signal from temperature sensors, discrete inputs, millivolt or high-level analog inputs and transmits a digital output signal proportional to the measured value for direct digital communications with systems.

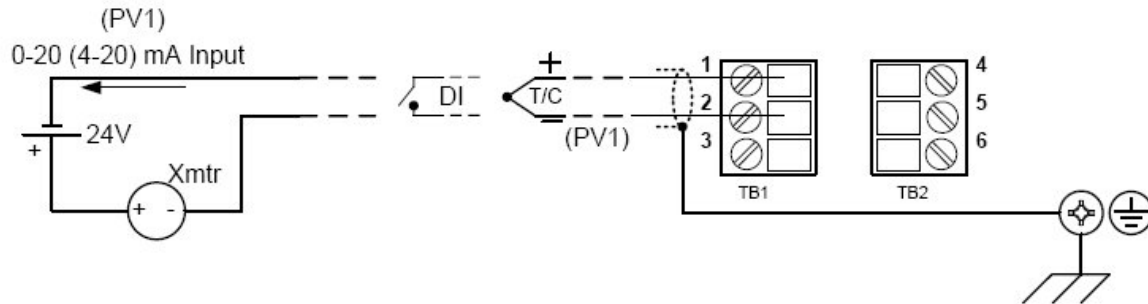
TC & mV Input Types and Ranges

Input Type	Range Deg F	Range Deg C
Type B T/C	0 to 3000	-18 to 1816
Type E T/C	-454 to 1832	-270 to 100
Type J T/C	0 to 1600	-18 to 871
Type K T/C	0 to 2400	-18 to 1333
Type N T/C	0 to 2372	-18 to 1300
Type R T/C	0 to 3100	-18 to 1704
Type S T/C	0 to 3100	-18 to 1704
Type T T/C	-300 to 700	-18 to 371

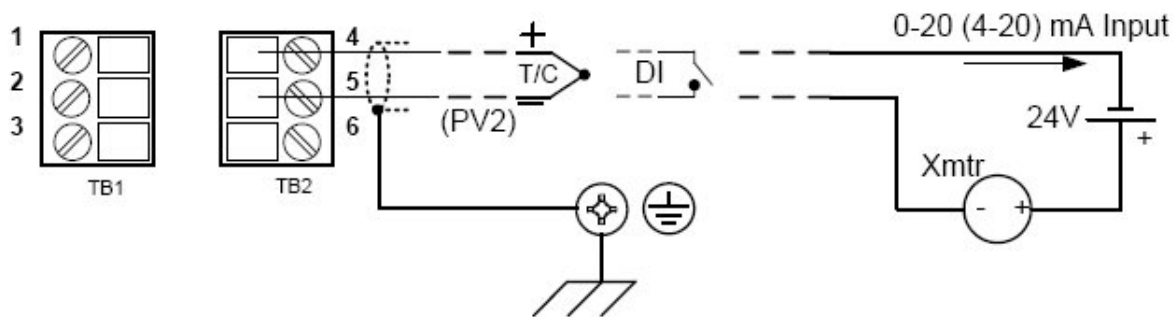
Linear Ranges
0 to 10 mV
0 to 50 mV
0 to 100 mV
High Level Analog Input Ranges
0 to 20 mA / 4-20 mA
Discrete Input
300 Ohms Max ON Contact Resistance
100K Ohms Minimum OFF Contact Resistance

Wiring for calibration – XYR 6000 Universal I/O Wiring Diagrams for AI/DI (Model STUW700)

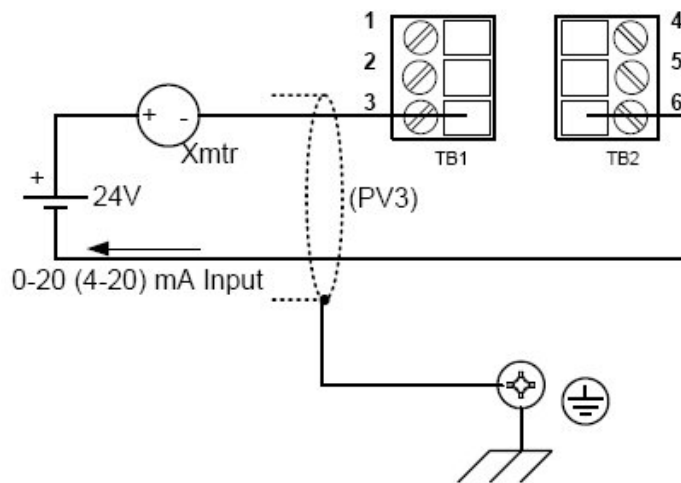
**PV1 Possible Connections
 T/C, DI or HLAI**



**PV2 Possible Connections
 T/C, DI or HLAI**



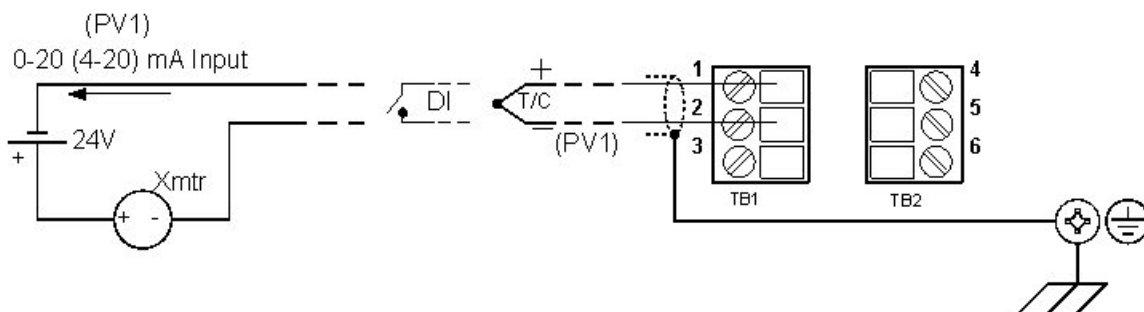
**PV3 Possible Connections
 (HLAI only)**



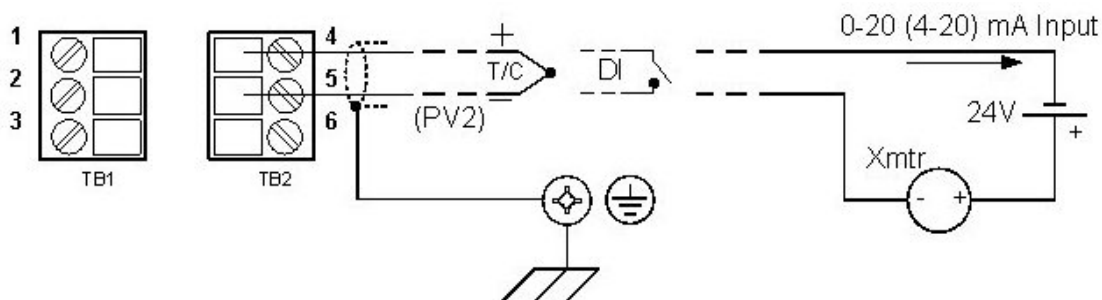
Note: any combination of the above are allowed.
 For example: PV1 is a DI, PV2 is 4-20 mA, and PV3 is 0-20 mA.
 Or PV1 is 0-20 mA, PV2 is a T/C, PV3 is 0-20 mA

Wiring for calibration – XYR 6000 Universal I/O Wiring Diagrams for AI/DI/DO (Model STUW701)

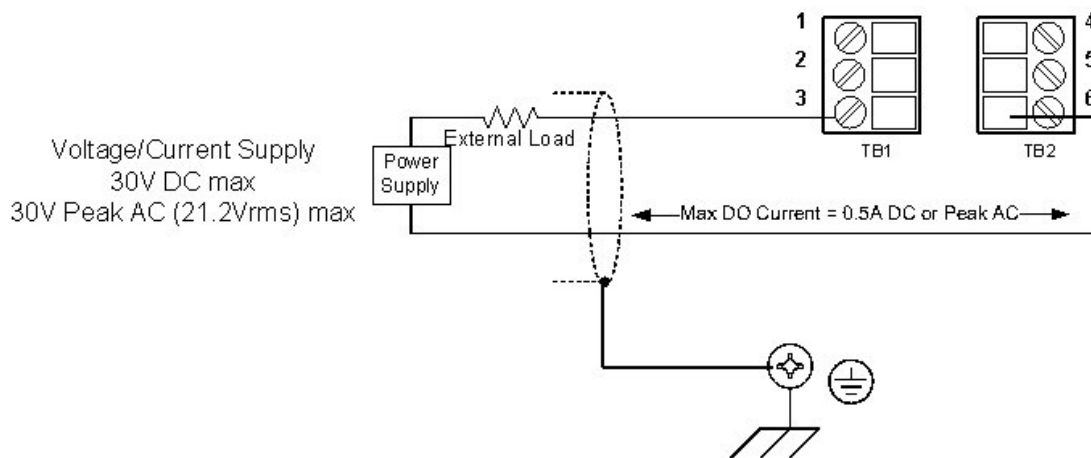
PV1 Possible Connections
T/C, DI or HLA1



PV2 Possible Connections
T/C, DI or HLA1



PV3 Possible Connections
(DO only)



Note: any combination of the above are allowed.
For example: PV1 is a DI, PV2 is 4-20 mA, and PV3 is DO.
Or PV1 is 4-20 mA, PV2 is a T/C, PV3 is DO.

Mounting

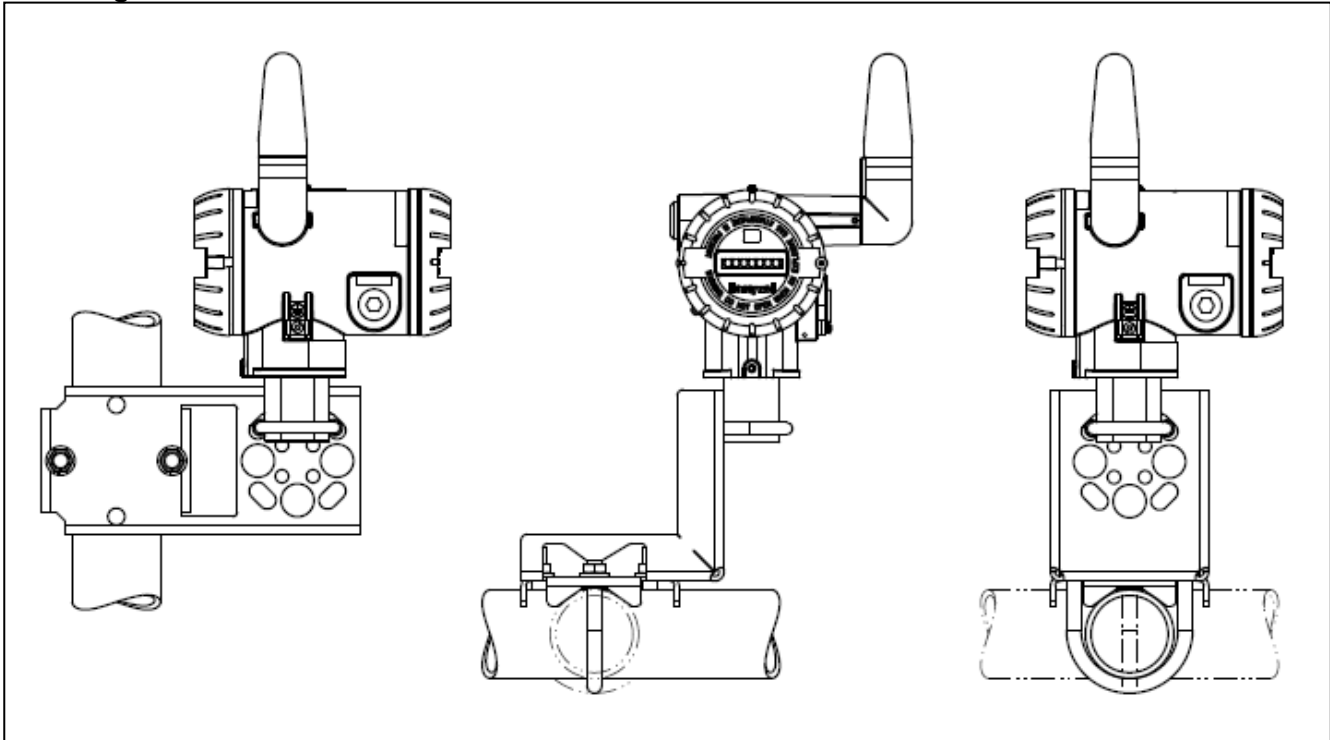


Figure 3—Examples of typical mounting positions

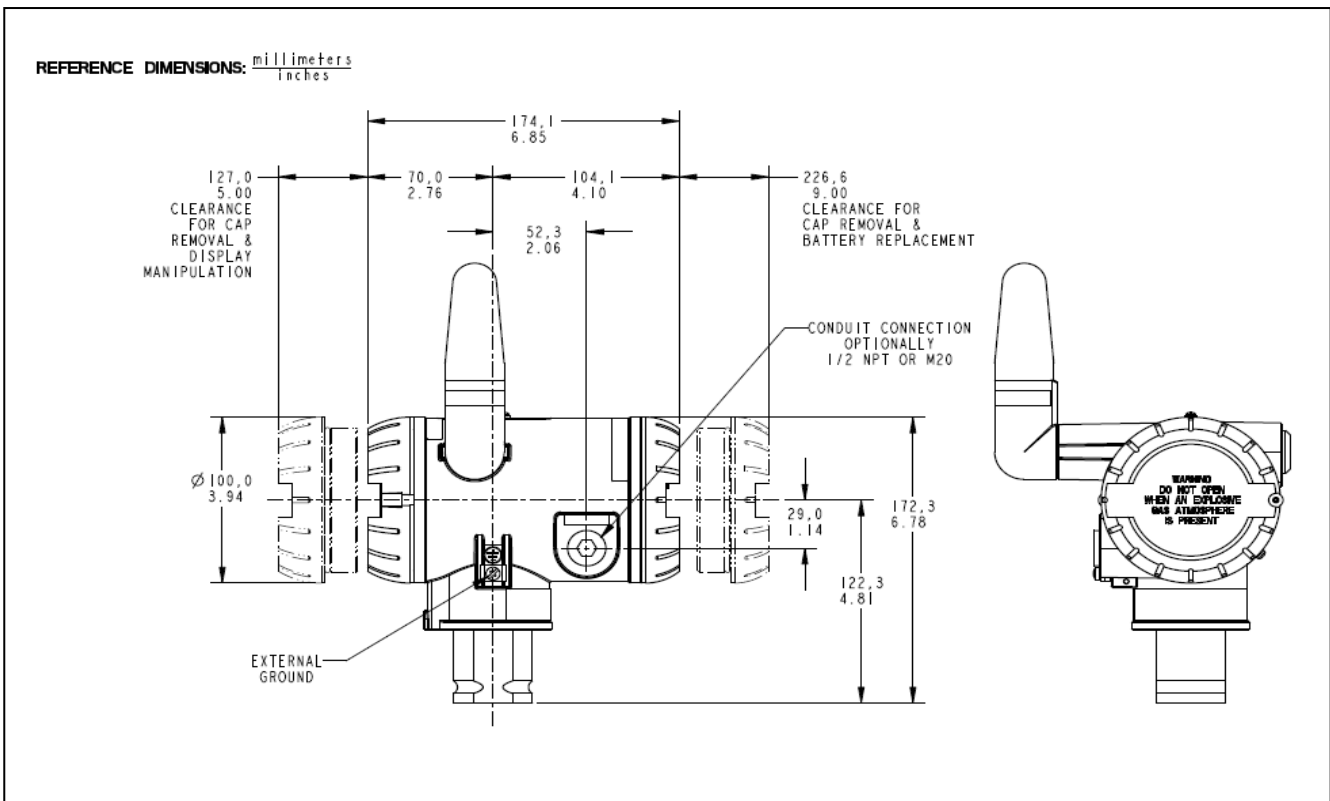


Figure 4—Typical mounting dimensions for reference

Options	Ordering Information
<p>Mounting Bracket The angle mounting bracket is available in either zinc-plated carbon steel or stainless steel and is suitable for horizontal or vertical mounting on a two inch (50 millimeter) pipe, as well as wall mounting. An optional flat mounting bracket is also available in carbon steel for two inch (50 millimeter) pipe mounting.</p> <p>Tagging (Option TG) Up to 30 characters can be added on the stainless steel nameplate mounted on the transmitter's electronics housing at no extra cost. A stainless steel wired on tag with additional data of up to 4 lines of 28 characters is also available. The number of characters for tagging includes spaces.</p> <p>Transmitter Configuration All configurable parameters are accessible via the OneWireless network via READ/WRITE transactions.</p>	<p>Contact your nearest Honeywell sales office, or</p> <p>In the U.S.: Honeywell Process Solutions 1641860 West Rose Garden Lane Phoenix, AZ 85053 1-800-423-9883</p> <p>In Canada: The Honeywell Centre 155 Gordon Baker Rd. North York, Ontario M2H 3N7 1-800-461-0013</p> <p>In Latin America: Honeywell Inc. 480 Sawgrass Corporate Parkway, Suite 200 Sunrise, FL 33325 (954) 845-2600</p> <p>In Europe and Africa: Honeywell S. A. Avenue du Bourget 1 1140 Brussels, Belgium</p> <p>In Eastern Europe: Honeywell Praha, s.r.o. Budejovicka 1 140 21 Prague 4, Czech Republic</p> <p>In the Middle East: Honeywell Middle East Ltd. Khalifa Street, Sheikh Faisal Building Abu Dhabi, U. A. E.</p> <p>In Asia: Honeywell Asia Pacific Inc. Honeywell Building, 17 Changi Business Park Central 1 Singapore 486073 Republic of Singapore</p> <p>In the Pacific: Honeywell Pty Ltd. 5 Thomas Holt Drive North Ryde NSW Australia 2113 (61 2) 9353 7000</p> <p>In Japan: Honeywell K.K. 14-6 Shibaura 1-chrome Minato-ku, Tokyo, Japan 105-0023</p>

Specifications are subject to change without notice.

Or, visit Honeywell on the World Wide Web at: www.honeywell.com/ps

Model Selection Guides are subject to change and are inserted into the specifications as guidance only. Prior to specifying or ordering a model check for the latest revision Model Selection Guides which are published at: <http://hpsweb.honeywell.com/Cultures/en-US/Products/Instrumentation/ProductModelSelectionGuides/default.htm>

Model Selection Guide (34-XY-16-58)



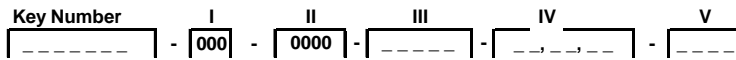
34-XY-16U-58
Issue 7
Page 1 of 4

**XYR 6000 Wireless
Universal I/O Transmitter
Series 700**

Model Selection Guide

Instructions

- Select the desired Key Number based on the desired option.
- A (•) dot denotes unrestricted availability. A letter denotes restricted availability.
- Restrictions follow Table V.
- Blank denotes unavailable - choose alternate.
- Select options and approvals from Tables.



Key Number	Description	Selection	Availability
	Wireless Universal I/O Transmitter - three inputs (1-3)HLAI, (1-2)T/C, (1-2)Discrete Inputs	STUW700	↓
	Wireless Universal I/O Transmitter - two inputs (1-2) HLA I, T/C, DI + One(1)Discrete Output	STUW701	↓

TABLE I

No selection		000	•
--------------	--	-----	---

TABLE II

No selection		0000	•
--------------	--	------	---

TABLE III - ANTENNA OPTIONS

Antennas	Integral Right-angle, vertical 2dBi	V _ _ _ _	d
	Integral Straight, horizontal 2dBi	S _ _ _ _	d
	Integral Right-angle, vertical 4dBi	R _ _ _ _	d
	Remote Omnidirectional, 8 dBi	M _ _ _ _	p
	Remote Directional, 14 dBi	D _ _ _ _	e
	Remote Antenna Adapter, Type N Connection	A _ _ _ _	d
Cable A for Remote Antenna	None	_ 0 0 _ _	•
	1.0m remote Cable A, Type N (Req'd to connect to XYR 6000)	_ 2 1 _ _	•
	3.0m remote Cable A, Type N (Req'd to connect to XYR 6000)	_ 2 3 _ _	•
	10.0m remote Cable A, Type N (Req'd to connect to XYR 6000)	_ 2 9 _ _	•
Cable B for Remote Antenna w/Accessories*	None	_ _ 0 0	•
	Accessory + 1.0m Cable B to Antenna, N - N	_ _ 0 1	•
	Accessory + 3.0m Cable B to Antenna, N - N	_ _ 0 3	•
	Accessory + 10.0m Cable B to Antenna, N - N	_ _ 1 0	•

* See Supplemental Accessories

TABLE IV - OPTIONS

	Selection		
Radio Options	(Must Choose a Radio Option)		
2.4 GHz Direct Sequence Spread Spectrum (802.15.4 DSSS)	XD	•	b
ISA 100.11a Compliant (2.4 GHz Direct Sequence Spread Spectrum 802.15.4 DSSS-FH)	XS	•	
Power Option	(Must Choose Power Option)		
Battery Holder Only - No Battery Included	00	•	b
Battery Power	BA	•	
24VDC	DC	•	
Transmitter Housing & Electronics Options			
M20 Conduit Thread (1/2" NPT is standard)	A1	f	b
1/2" NPT to 3/4" NPT 316 SS Conduit Adapter	A2	g	
1/2" NPT to 3/4" NPT 316 SS Conduit Adapter (Quantity of 2 for 24VDC Option)	A4	h	b
316 SS ^{1,2} Electronic Housing - with M20 Conduit Connections	SH	•	
316 SS ^{1,2} Housing with 1/2" NPT Conduit Connection	A3	•	b
Stainless Steel Customer Wired-On Tag (4 lines, 28 characters per line, customer supplied information)	TG	•	
Stainless Steel Customer Wired-On Tag (blank)	TB	•	b
End Cap Warning Label in Spanish	SP	•	
End Cap Warning Label in Portuguese	PG	•	b
End Cap Warning Label in Italian	TL	•	
End Cap-Warning Label in German	GE	•	
Transmitter Mounting Brackets Options			
Mounting Bracket - Carbon Steel	MB	•	b
Mounting Bracket - 304 SS	SB	•	
Flat Mounting Bracket - Carbon Steel	FB	•	
Services/Calibration/Conformance Options			
User's Manual Paper Copy	UM	•	b
Calibration Test Report and Certificate of Conformance (F3399)	F1	•	
Certificate of Conformance (F3391)	F3	•	
Certificate Options			
Certificate of Origin (F0195)	F5	•	
Warranty Options			
Additional Warranty - 1 year	W1	•	b
Additional Warranty - 2 years	W2	•	

Note: Chosen Operator's Manuals and chosen Certificates are automatically shipped with unit.

See 13:STT-OE pages for additional manuals and alternate shipping.

¹ Supplied as 316 SS or as Grade CF8M, the casting equivalent of 316 SS.

² If ordered with Remote Antenna option, Table III Selection M or D, antenna parts are not SS or Marine type cables

Certificate	Approval Type	Location or Classification		
No hazardous location approvals			9X	•
FM	Intrinsically Safe	Class I, II, III, Div. 1, Groups A,B,C,D,E,F,G; T4, Ta ≤ 85°C; Type 4X Class I, AEx ia IIC; T4, Ta ≤ 85°C, Zone 0; IP66	1C	•
	Explosion-proof	Class I, Div. 1, Groups A,B,C,D; CI II, Div. 1, Groups E, F & G; CI III, Div. 1, T4, Ta ≤ 85°C; Type 4X Class I, AEx d IIC; T4, Ta ≤ 85°C, Zone 1; IP66		
	Nonincendive	Class I, Div. 2, Groups A,B,C,D; T4, Ta ≤ 85°C; Type 4X		
	Non-Sparking	Class I, AEx nA IIC; T4, Ta ≤ 85°C, Zone 2; IP66		
CSA cus	Nonincendive	Nonincendive, CL I, Div 2, Groups A,B,C & D, CL II & III, Div 2, Groups F & G, T4 Ta = 85°C	2N	•
	Non-Sparking	Class I, Ex/AEx nA IIC; T4, Ta ≤ 85°C, Zone 2; IP66	2C	•
	Intrinsically Safe	Class I, Div. 1, Gp A,B,C,D; Class II, Div 1, Gp E,F,G; Class III, Div 1; T4, Ta ≤ 85°C; Type 4X Class I, Ex/AEx ia IIC; T4, Ta ≤ 85°C, Zone 0; IP66		
	Explosion-proof	Class I, Div. 1, Groups A,B,C,D; Class II, Div. 1, Groups E, F & G; Class III, Div. 1, T4, Ta ≤ 85°C; Type 4X Class I, Ex/AEx d IIC; T4, Ta ≤ 85°C, Zone 1; IP66		
	Nonincendive	Class I, Div. 2, Groups A,B,C,D; T4, Ta ≤ 85°C; Type 4X		
	Non-Sparking	Class I, Ex/AEx nA IIC; T4, Ta ≤ 85°C, Zone 2; IP66		
ATEX	Intrinsically Safe	<input checked="" type="checkbox"/> II 1 GD; Ex ia IIB; T4, Ta ≤ 70°C, Zone 0; IP66 Ex tD A20 IP66 T90°C	3U	•
	Flameproof	<input checked="" type="checkbox"/> II 2 GD; Ex d [ia] IIB; T4, Ta ≤ 70°C, Zone 1; IP66 Ex tD A21 IP66 T90°C	3B	•
	Non-Sparking	<input checked="" type="checkbox"/> II 3 GD; Ex nA [nL] IIC; T4, Ta ≤ 84°C, Zone 2 Ex tD A22 IP66 T90°C	3Y	•
	Intrinsically Safe	<input checked="" type="checkbox"/> II 1 GD; Ex ia IIB; T4, Ta ≤ 70°C, Zone 0; IP66 Ex tD A20 IP66 T90°C	3C*	•
	Flameproof	<input checked="" type="checkbox"/> II 2 GD; Ex d [ia] IIB; T4, Ta ≤ 70°C, Zone 1; IP66 Ex tD A21 IP66 T90°C		
	Non-Sparking	<input checked="" type="checkbox"/> II 3 GD; Ex nA IIC; T4, Ta ≤ 84°C, Zone 2 Ex tD A22 IP66 T90°C		
IECEX Australia & New Zealand	Intrinsically Safe	Ex ia IIB; T4, Ta ≤ 70°C, Zone 0; IP66 Ex tD A20 IP66 T90°C	CU	•
	Flameproof	Ex d [ia] IIB; T4, Ta ≤ 70°C, Zone 1; IP66 Ex tD A21 IP66 T90°C	CB	•
	Non-Sparking	Ex nA [nL] IIC; T4, Ta ≤ 84°C, Zone 2; IP66 Ex tD A22 IP66 T90°C	CY	•
	Intrinsically Safe	Ex ia IIB; T4, Ta ≤ 70°C, Zone 0; IP66 Ex tD A20 IP66 T90°C	C1*	•
	Flameproof	Ex d [ia] IIB; T4, Ta ≤ 70°C, Zone 1; IP66 Ex tD A21 IP66 T90°C		
	Non-Sparking	Ex nA [nL] IIC; T4, Ta ≤ 84°C, Zone 2; IP66 Ex tD A22 IP66 T90°C		
SAEx South Africa	Intrinsically Safe	Ex ia IIB; T4, Ta ≤ 70°C, Zone 0; IP66 Ex tD A20 IP66 T90°C	ZU	•
	Flameproof	Ex d [ia] IIB; T4, Ta ≤ 70°C, Zone 1; IP66 Ex tD A21 IP66 T90°C	ZB	•
	Non-Sparking	Ex nA [nL] IIC; T4, Ta ≤ 84°C, Zone 2; IP66 Ex tD A22 IP66 T90°C	ZY	•
	Intrinsically Safe	Ex ia IIB; T4, Ta ≤ 70°C, Zone 0; IP66 Ex tD A20 IP66 T90°C	ZC*	•
	Flameproof	Ex d [ia] IIB; T4, Ta ≤ 70°C, Zone 1; IP66 Ex tD A21 IP66 T90°C		
	Non-Sparking	Ex nA [nL] IIC; T4, Ta ≤ 84°C, Zone 2; IP66 Ex tD A22 IP66 T90°C		
INMETRO Brazil	Intrinsically Safe	Ex ia IIC; T4, Ta ≤ 85°C, Zone 0; IP 66	6C*	
	Flameproof	Ex d IIC; T4, Ta ≤ 85°C, Zone 1; IP 66		
	Non-Sparking	Ex nA IIC; T4, Ta ≤ 85°C, Zone 2; IP 66		

* The user must determine the type of protection required for installation of the equipment. The user shall then check the box [v] adjacent to the type of protection used on the equipment certification nameplate. Once a type of protection has been checked on the nameplate, subsequently the equipment shall not be reinstalled using any of the other certification types.

WARNING – Division 2 / Zone 2 apparatus may only be connected to processes classified as non-hazardous or Division 2 / Zone 2. Connection to hazardous (flammable or ignition capable) Division 1 / Zone 0, or 1 process is not permitted.

TABLE V

Country	(Must Choose a Country Code)	Country Code	Availability
North America, Canada		NA00	•
European Union		EU00	•
Japan		JP00	j

RESTRICTIONS

Restriction Letter	Available Only With		Not Available With	
	Table	Selection	Table	Selection
b	Select only one option from this group			
d	III	_ 00 __ , __ _ 00		
e			III	_ 00 _
f			IV	SH, A3
g			IV	DC, SH, A1
h			IV	BA, SH, A1
j	IV	9X		
p			V	JP00

34-XY-16U-58

Issue 7

Page 4 of 4

Supplemental Accessories & Kits

Description	Part Number
1/2 NPT Socket Plug (ZN Plated CS)	50021832-001
1/2 NPT Certified Conduit Plug (SS)	50021832-002
M20 Certified Conduit Plug (SS)	50000547-001
M20 Conduit Plug (ZN Plated CS)	50000547-002
Surge Diverter*	50018279-090
Lithium Thionyl Chloride Batteries (Qty 2)	50026010-501
Lithium Thionyl Chloride Batteries (Qty 4)	50026010-502
Lithium Thionyl Chloride Batteries (Qty 10)	50026010-503

* Surge Diverter Accessory supplied with Table III, Selections XXX01, XXX03, XXX10



Honeywell
AUTHORIZED DISTRIBUTOR

De Gidts & Feldman BV
The Netherlands
www.dgfg.nl



De Gidts & Feldman
INSTRUMENTATION & FILTRATION

OneWireless and XYR are trademarks and Experion is a registered trademark of Honeywell International Inc.

Honeywell

Honeywell Field Solutions
1860 West Rose Garden Lane
Phoenix, Arizona 85027
Tel: 1-800-423-9883
www.honeywell.com/ps/hfs

34-XY-03-36
December 2010
© 2009-10 Honeywell International Inc.