



## **FS24X Fire and Flame Detector**

Multi-Spectrum QuadBand Triple IR

# FS24X Detector

FS24X is a quantum leap in flame and fire detection with its sophisticated software and detection technology.

The FS24X is the latest generation high technology Multi-Spectrum Triple IR (IR/IR/IR/Visible) Fire and Flame Detector, which is part of our FSX family of advanced technology Electro-Optical fire detectors. Using our patented WideBand IR™, WideBand 4.3 micron IR™, and Visible detection technology, the FS24X is a quantum leap in flame and fire detection. Sophisticated software algorithms and dual microprocessors ensure that the FS24X has the highest fire detection performance combined with optimal false alarm rejection.

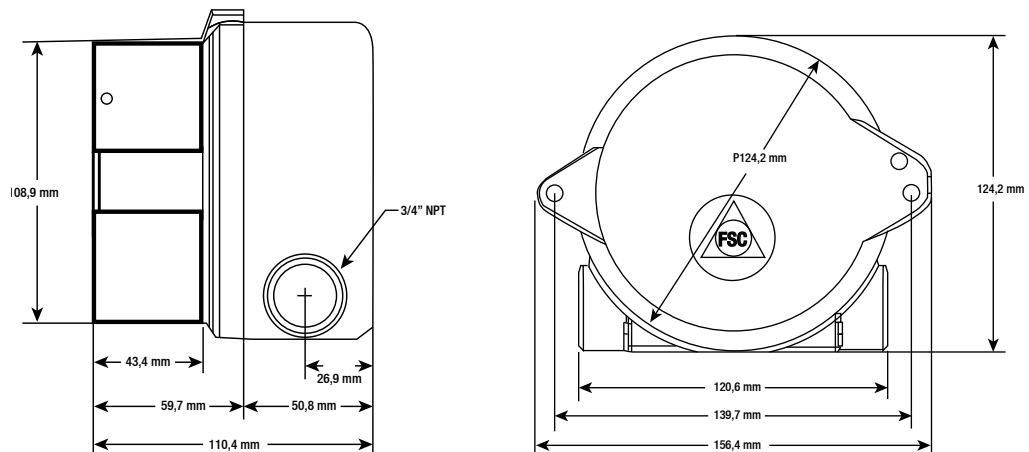
The WideBand IR™ Infrared technology using high-speed solid-state Quantum sensors allows detection of all types of fires, hydrocarbon and non-hydrocarbon, in all weather conditions. If the detector's signal is blocked by ordinary window glass, the patented WideBand IR sensors will still alarm to the fire albeit at a reduced sensitivity and slower response time.




Dual microprocessors provide a high level of fail-safe operation combined with fast and reliable performance. The master microprocessor performs high-speed digital sampling and signal-processing calculations, while the slave microprocessor handles various sensor data, performs communications, self-diagnostics and provides interface versatility and additional memory for storing Event Log and FirePic™ data.

The FSX family of detectors feature our patented FirePic data storage and information retrieval facility. FirePic™ records pre-fire data, which can be recovered from the Detector's non-volatile flash memory for post fire analysis and postulation of the fire cause. Additionally, unique Real-Time Graphing (RTG™) allows viewing of the data which the Detector actually sees. A combination of outputs makes the FS24X a truly versatile detector for today's demanding industrial requirements. The FS24X detector has a detection range greater than 60 m (200 feet) (Very High Sensitivity setting) for the detection of a 0.1 m<sup>2</sup> (one square-foot) Heptane reference fire and has a cone of vision far greater in volumetric coverage than any other Multi-Spectrum IR Detector. This means fewer Detectors can be used as compared to other manufacturers' Detectors.

**GENERAL DIMENSIONS**  
Side and Back Views  
(All Dimensions in mm)



# General Specification

GENERAL SPECIFICATIONS	
<b>FIELD OF VIEW</b>	FS24X-9: 90° cone of vision, ± 45° from on axis FS24X-2: 110° cone of vision, ± 55° from on axis
<b>SENSITIVITY</b>	Very high (60m), high (45m), medium (30m) and low (15m) - switch selectable
<b>RESPONSE TIME</b>	3-5 Seconds to 0.1 m <sup>2</sup> (1 sq. ft.) n-Heptane fire at 30 m (100 ft.) 3-10 Seconds to 0.1 m <sup>2</sup> (1 sq. ft.) n-Heptane fire at 60 m (200 ft.)
<b>SPECTRAL SENSITIVITY</b>	Visible: 400 – 700 nanometres Near Band IR: 0.7 – 1.1 microns Wide Band IR: 1.1 – 3.0 microns Wide Band IR: 3.0 – 5.0 microns
<b>OPERATING VOLTAGE</b>	24 Vdc nominal (18-32 Vdc) - regulated
<b>POWER CONSUMPTION</b>	Operating: 56 mA @ 24 Vdc nominal Alarm: 106 mA @ 24 Vdc nominal Heater: 155 mA – additional Note: Heater will turn on at -17°C (0°F)
<b>OUTPUT RELAYS</b>	Fire Alarm: SPDT (NO / NC) – De-energised/energized, latching/non-latching Fault: SPST (NO) – De-energised, latching/non-latching Auxiliary: SPDT (NO / NC) – De-energised/energised, latching/non-latching Contacts rating: 1 amp @ 24 Vdc
<b>ANALOG OUTPUT</b>	0 - 20 mA stepped - source or sink user selectable
<b>LOOP RESISTANCE</b>	50 - 400 Ohms
<b>COMMUNICATION</b>	One of the following – user selectable: • RS-485, ModBus Protocol • RS-485, FireBus II • RS-485 Special (optional) • HART, Optional plug-in module (not available on EN54-10 units)
<b>VISUAL INDICATORS</b>	Green LED: Power Red LED: Alarm Yellow LED: Fault
<b>TEMPERATURE RANGE</b>	Operating: 110° Field of View FS24X: -40°C to +85°C (-40°F to +185°F); 90° Field of View FS24X: -60°C to +85°C (-76°F to +185°F) Storage: -55°C to +110°C (-67°F to +230°F)
<b>HUMIDITY RANGE</b>	5 to 98% relative humidity, non-condensing
<b>VIBRATION</b>	Meets or exceeds MilSpec 810C Method 514.2, Curve AW12
<b>WIRING</b>	2.5 mm <sup>2</sup> (14 AWG) to 0.326 mm <sup>2</sup> (22 AWG); shielded cable recommended
<b>CONDUIT ENTRIES</b>	Standard: Two M25 or two ¾" NPT
<b>ENCLOSURE MATERIALS</b>	Copper-free powder coated aluminum or 316 stainless steel
<b>ENCLOSURE TYPE</b>	4X, IP66 and NEMA 4
<b>CERTIFICATIONS</b>	<b>FM:</b> Class I, Div. 1 & 2, Groups B, C, & D; Class II, Div. 1 & 2, Groups E, F, & G; Class III <b>ATEX/IECE:</b> Ⓢ II 2 G Ex db IIC T4 (Ta: -60 to +110°C), T5 (Ta: -60 to +75°C), T6 (Ta: -60 to +60°C), II 2 D Ex tb IIIC T135°C (FS24X-9, 90° Field of View) Ⓢ II 2 G Ex db IIC T4 (Ta: -40 to +110°C), T5 (Ta: -40 to +75°C), T6 (Ta: -40 to +60°C), II 2 D Ex tb IIIC T135°C (FS24X-9, 110° Field of View) <b>CE:</b> Complies with EN6100-6-4 & EN50130-4 <b>INMETRO</b> <b>CU-TR</b> <b>SIL Rating:</b> FMEDA available on request <b>EN54-10:</b>  FS20X certified 1175a/01 (LPCB); CPR 0832-CPR-F0515
<b>SHIPPING WEIGHT</b>	Aluminum: 1.6 kg (3.6 lbs) Stainless Steel: 3.2 kg (7 lbs)
<b>MOUNTING</b>	Swivel bracket assembly - optional
<b>WARRANTY</b>	Three years from date of shipping

## FEATURES

- Patented WideBand IR™ technology
- Patented Electronic Frequency Analysis™
- Visible sensor for optimum false alarm rejection
- Selectable detection sensitivities
- Field-of-View: 110° cone-of-vision (90° cone-of-vision model also available)
- Dual microprocessors for reliable performance
- Real-time clock for accurate time dating of events
- FirePic™ – pre-fire event data storage
- Event log with date and time stamp
- RS-485 ModBus communication
- Non-Isolated 4-20 mA Analog output (sink or source)
- Alarm, Fault and Fire Verification relays
- Automatic optical path and electronic self-test
- Patented Electronics Module for components protection with easy plug-in terminations and field installation
- Two 25 mm or ¾" NPT conduit entries
- Low power consumption
- High RFI and EMI immunity
- FM, ATEX, CE mark approvals
- CU-TR approved
- INMETRO approved
- Meets SIL 2 requirements
- Certified to EN54-10:2002 (FS24X-9) option
- FM 3260 Performance

## BENEFITS

- Detects hydrocarbon and non-hydrocarbon fuel fires in all environmental conditions
- User selectable outputs
- Wide operating temperature range
- Optimal false alarm rejection
- Minimal maintenance for trouble-free operation
- PC software and Interface Module (FSIM) for fault diagnostics, real-time graphics (RTGs), and downloading of FirePics™ and event log
- Suitable for a wide variety of applications
- Easy electronics module replacement
- Test lamps for manual testing

## APPLICATIONS

- Refineries and oil production facilities
- Off-shore platforms
- Turbine/Compressor enclosures
- Oil and gas pipelines and pumping stations
- LNG/LPG loading and unloading facilities
- Natural gas and CNG plants
- Ethanol, Methanol, and IPA production and storage
- Crude oil and gasoline storage and tank farms
- Aircraft hangars
- Paint and solvent storage
- Chemical production, storage, and loading facilities
- Power plants

# Honeywell Gas and Flame Detection

Honeywell Gas and Flame Detection is able to provide gas detection solutions to meet the requirements of all applications and industries. Contact us in the following ways:

## HEADQUARTERS

### Europe, Middle East, Africa

Life Safety Distribution GmbH  
Javastrasse 2  
8604 Hegnau  
Switzerland  
Tel: +41 (0)44 943 4300  
Fax: +41 (0)44 943 4398  
gasdetection@honeywell.com

#### Customer Service:

Tel: 00800 333 222 44 (Freephone number)  
Tel: +41 44 943 4380 (Alternative number)  
Fax: 00800 333 222 55  
Middle East Tel: +971 4 450 5800  
(Fixed Gas Detection)  
Middle East Tel: +971 4 450 5852  
(Portable Gas Detection)

### Americas

RAE Systems by Honeywell  
3775 North First Street  
San Jose, CA 95134  
USA  
Tel: +1 877 723 2878  
Honeywell Analytics Distribution Inc.  
405 Barclay Blvd.  
Lincolnshire, IL 60069  
USA  
Tel: +1 847 955 8200  
Toll free: +1 800 538 0363  
Fax: +1 847 955 8210  
detectgas@honeywell.com

### Asia Pacific

Honeywell Industrial Safety  
7F SangAm IT Tower,  
434, Worldcupbuk-ro, Mapo-gu,  
Seoul 03922,  
Korea  
Tel: +82 (0) 2 6909 0300  
Fax: +82 (0) 2 2025 0328  
India Tel: +91 124 4752700  
China Tel: +86 10 5885 8788 3000  
analytics.ap@honeywell.com



# Honeywell

AUTHORIZED DISTRIBUTOR

## De Gidts & Feldman BV

## The Netherlands

## www.dgfg.nl



# De Gidts & Feldman

INSTRUMENTATION & FILTRATION

[www.honeywellanalytics.com](http://www.honeywellanalytics.com)  
[www.raesystems.com](http://www.raesystems.com)

#### Please Note:

While every effort has been made to ensure accuracy in this publication, no responsibility can be accepted for errors or omissions. Data may change, as well as legislation, and you are strongly advised to obtain copies of the most recently issued regulations, standards, and guidelines. This publication is not intended to form the basis of a contract.

FS24X\_DS01126\_V7\_01-17\_EMEA\_EN  
01/17  
© 2017 Honeywell Analytics

**Honeywell**