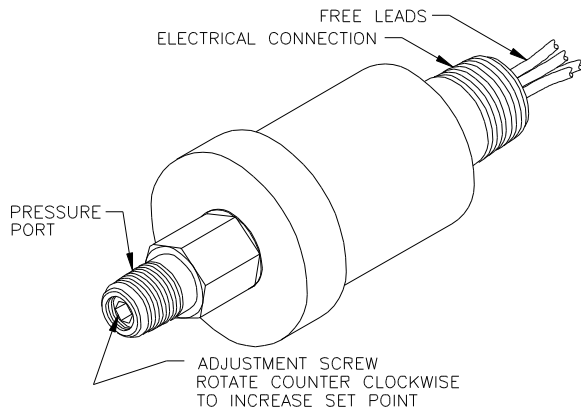
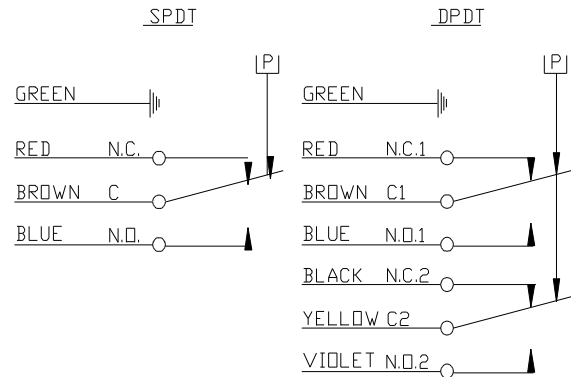


CUSTOM CONTROL SENSORS, INC.

611 INSTALLATION INSTRUCTION



WIRING DIAGRAMS



GENERAL:

- Observe all Warnings and Cautions contained on the attached Warning Sticker, the Warning Declaration and the CCS Catalog.
- Follow all applicable federal, state government or industry codes and regulations, pertaining to the use of this device.

MOUNTING:

- Units may be directly mounted in any position at the source of the variable pressure sensed.

WARNING: INSURE THAT BOTH PRESSURE AND ELECTRICAL CONNECTIONS TO THE UNIT ARE DEACTIVATED AND LOCKED OFF IN THE UNPRESSURIZED AND OPEN CIRCUIT CONDITION ON ALL ATTACHED CIRCUITS. DO NOT EXCEED NAMEPLATE PRESSURE OR ELECTRICAL RATINGS.

- Units are supplied with male NPT port suitable for connection to NPT taper threaded pipe with max. installation torque of 12 ft. lb. CCS recommends use of either a union or bendable tubing. This will eliminate excessive strain on the housing.
- Pipe joint sealing compound is preferred over Teflon tape. However, either method of sealing is acceptable with proper care to avoid introducing sealing material into pressure switch or plumbing.

ELECTRICAL CONNECTIONS:

- Electrical conductors are provided within a male conduit connection. Flexible conduit is recommended.

- When making wire connections disconnect electrical power. Check for multiple circuits.

- Make electrical connections in accordance with the NEC and all other appropriate codes and regulations. Conduit enclosure shall be wrenchtight or 12 ft. lb. max. torque applied. Keep as much wire as possible for a service loop to facilitate service, see wiring diagrams.

- Proper grounding must be accomplished by connecting to the green wire provided.

ADJUSTMENT: (Not applicable if units are factory set) Pressure settings are externally adjustable from the pressure port side.

- If the electrical circuit cannot be used for testing disconnect electrical power and use a suitable circuit tester or light box.
- Disconnect pipe nipples or NPT taper threaded pipe from the pressure port.. Use 1/8" hex. size Allen type wrench to adjust pressure setting as illustrated, then attach to a variable pressure source with a suitable gage and check that the circuit continuity operates at the pressures desired.

- Clockwise to decrease settings short of actuating the electrical.
 - Counterclockwise to increase setting. Do not turn beyond flush with port.
- Re-tighten pressure port with 12 ft. lb. max.
 - Reconnect electrical circuit 12 ft. lb. max.
 - Return power to unit.

WARNING DECLARATION

If this switch is used to protect equipment or personnel from unsafe pressure or to guard against the hazardous release of contained substances it must be installed and operated in accordance with applicable codes, regulations and standards. This switch must be used in conjunction with system design(s) or procedure(s) necessary to mitigate any hazard resulting from its failure. Conform to installation instructions accompanying this switch. Individuals who ignore this warning may suffer serious or fatal injury and do so at their own risk. Custom Control Sensors is not liable for any misuse, abuse, suitability or adequacy of user's application of the switch. Service by qualified personnel only.