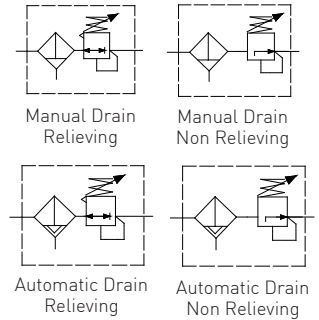


## Aluminum alloy 3/4"-1"NPT Filter Regulator – FR serie

Filtro regolatore da 3/4" - 1"NPT in lega di alluminio – serie FR

- Suitable for automation equipment to onshore, offshore, pharmaceutical, medical and food applications
- Full material traceability
- Excellent stability and repeatability
- Accurate adjustment and high flow capacity
- ATEX 2014/34/UE - II2GD c IICT6 X $\text{Ex}$  / IP66
- $\text{ATEX}$  &  $\text{Ex}$  approved / SIL 3 - IEC 61508  $\text{SIL}$
- Adatto per automazione in applicazioni marine, petrolchimiche, farmaceutiche, medicali e alimentari
- Completa rintracciabilità dei materiali
- Eccellente stabilità e ripetibilità
- Precise regolazioni ed elevate portate
- ATEX 2014/34/UE - II2GD c IICT6 X $\text{Ex}$  / IP66
- Approvato  $\text{ATEX}$  ed  $\text{Ex}$  / SIL 3 - IEC 61508  $\text{SIL}$



Media / Fluido	Compressed air, inert gases, sweet and sour gases
Port thread / Connessioni	3/4" - 1" NPT
Gauge Connection Connessione manometro	1/4" NPT (1/8" NPT option)
Filtering element Elemento filtrante	stainless steel 25micron standard
Max inlet pressure / Pressione massima di ingresso	25bar
Drain valve/ Scarico condensa	Manual or automatic
Flow rate (@10bar inlet, 6bar regulated, delta P=1bar) / Portata	11500dm <sup>3</sup> /min Cv=11.5
Working temperature / Temperatura di esercizio	-20°C up to 80°C (NBR); -25°C up to 90°C (FKM); -40°C up to 80°C (EPDM) *
Regulated pressure Pressioni regolate	0/2, 0/4, 0/8, 0/10bar

Air supply must be dry enough to avoid ice formation at temperatures below +2°C (+35°F).

\*Special version available for -55°C up to 90°C

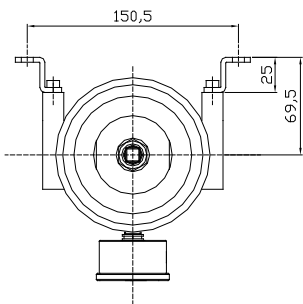
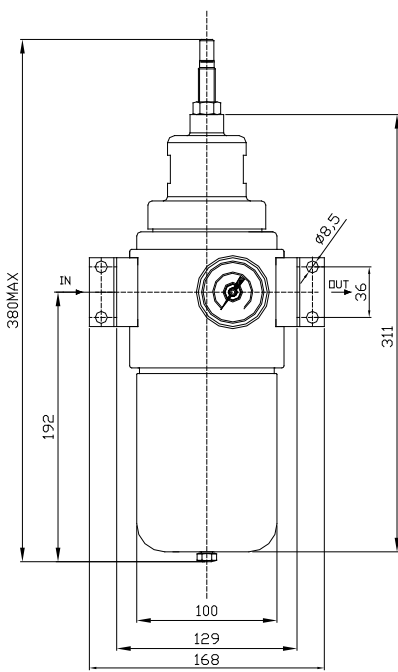
**It provides excellent regulation and filtering for a wide range of applications. Rugged and corrosion-resistant – made of aluminum alloy and SS AISI304/316 / Permette un'accurata regolazione e filtraggio per una vasta gamma di applicazioni. Robusto e resistente alla corrosione – Costruito lega di alluminio ed AISI316**

BUILDING MATERIALS	Materiali costruttivi
Body, bonnet, bowl in tropicalized aluminum alloy, internals in stainless steel	Corpo, coperchio, tazza in lega di alluminio tropicalizzata, particolari interni in acciaio inossidabile
Adjustment screw, lock and panel nuts, fixing screws AISI316 stainless steel or galvanized steel	Vite di regolazione, dadi di bloccaggio e pannello, viti di fissaggio in acciaio inossidabile od acciaio galvanizzato
Diaphragm and valve assembly in elastomer and AISI316 stainless steel	Assieme diaframma ed assieme valvola in elastomero ed acciaio inossidabile AISI316
Filtering element in AISI316 stainless steel	Elemento filtrante in acciaio inossidabile AISI316
Valve spring, Adjustment spring AISI316 stainless steel	Molle valvola e di regolazione in acciaio inossidabile AISI316
Seals in elastomer	Guarnizioni in elastomero

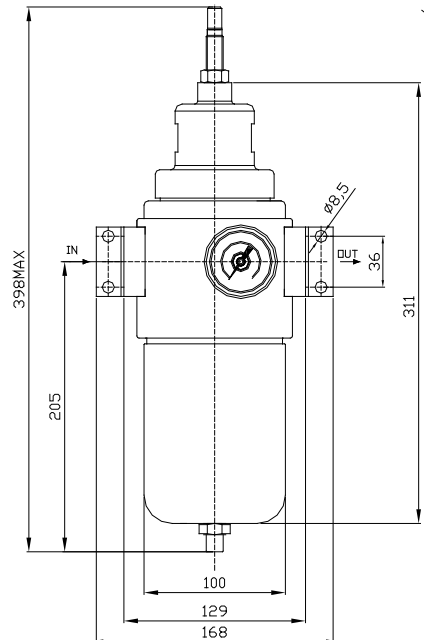
## Overall dimension

Dimensioni di ingombro

**Manual drain**  
Scarico manuale

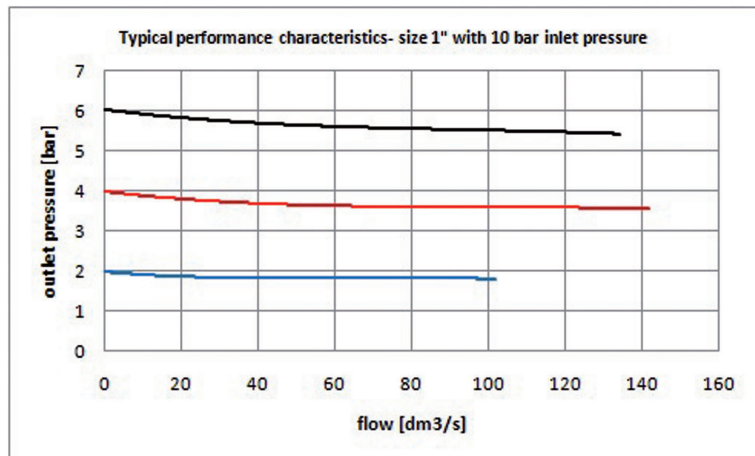


**Automatic drain**  
Scarico automatico



### Max inlet pressure for automatic drain 16bar

Massima pressione di ingresso con scarico automatico 16bar



FR12 A = 3/4"

FR16 A = 1"

## Accessories and repair kit

Accessori e ricambi

Maintenance kit / Kit manutenzione	Items K-FR12-* -AL-** [3/4"] K-F216-* -AL-** [1"]
Pressure gauge DN40mm, SS case, Bar+psi+kpa range / Manometro DN40mm, cassa inox, scala Bar+psi+kpa	0-2bar MBSNP4S2PN3S 0-4bar MBSNP4S2PN05 0-10bar MBSNP4S2PN07
Bracket and screws / Staffa e Viti	SQ-FR16

\* Refers to filter element option: 1→5 micron 2→25 micron 3→40 micron 4→coalescing

\*\* Refers to seals type:

FK→FKM NB→NBR LT→EPDM FL→Low temperature compound HN→HNBR

# Ordering information

## Come ordinare

TYPE	SIZE	RANGE	ACCESSORIES
F= Filter FR= Filter Regulator R= Regulator FM= Mini-filter* TF= Tee Filter* BP= Back Pressure* SV= Switch Valve 2/2* S3= Switch Valve 3/2* * (only 1/4"NPT)	04= 1/4" NPT* 06= 3/8" NPT 08= 1/2" NPT 12= 3/4" NPT 16= 1" NPT 20= 1" 1/4"NPT 24= 1" 1/2"NPT 32= 2"NPT	0= None 1= 0.2-2 bar 2= 0.2-4 bar 3= 0.4-8 bar 4= 0.4-10 bar 6= 4-25 bar 7= 4-35 bar	0= None 2= SS bracket kit 3= Panel nut&handwheel 4= Customised Tag 5= SS bracket kit + nut&hanwheel 6= SS bracket kit+custom.Tag 8= CS bracket kit

FR 06 3 1 1S 5 6 SS FK 2 # #

**FILTER ELEMENT**

- 0= None
- 1= 5 micron
- 2= 25 micron
- 3= 40 micron
- 4= coalescing

**DIAPHRAGM & SEALS MATERIAL**

- FK= FKM ( WT-25° +90°C )
- NB= NBR ( WT-20° +80°C )
- LT= EPDM ( WT-40° +80°C )
- FL= Special compound (WT-55°+90°C)
- HN= HNBR (WT from -55°) suitable for gas

**PRESSURE GAUGE**

- 0= None
- 1S= AISI316 case (SS316 connection)
- 1B= AISI304 case (brass connection)

**OPTION**

- 00= None
- 05= No relieving
- 06= 1/4" gauge port
- 07= Automatic drain
- 56= No relieving 1/4" gauge port
- 57= No relieving Automatic drain
- 67= 1/4" gauge port Automatic drain
- X= Special

**MATERIAL**

- SS= 316-316L Stainless steel
- AL= Copper free aluminum alloy
- SP= Special

### CODE EXAMPLES



**3/8"NPT, SS316, 0 to 8 bar range, filter regulator, with 40 micron filtering element, relieving, SS pressure gauge, automatic drain, ss bracket kit and FKM diaphragm & seals**  
 Filtro regolatore da 3/8"NPT in AISI316, range regolato 0/8 bar, elemento filtrante da 40 micron, manometro tutto inox, relieving, scarico condensa automatico, staffa inox, diaframma e tenute in FKM



**3/8"NPT, SS316, 0 to 8 bar range, filter regulator, with 5 micron filtering element, relieving and FKM diaphragm & seals**  
 Filtro regolatore da 3/8"NPT in AISI316, range regolato 0/8 bar, elemento filtrante da 5 micron, relieving, diaframma e tenute in FKM



**Distributor:**

**De Gidts & Feldman**  
INSTRUMENTATION & FILTRATION

**De Gidts & Feldman BV**  
**The Netherlands**  
**www.dgfg.nl**

BT-APCD/C16A