




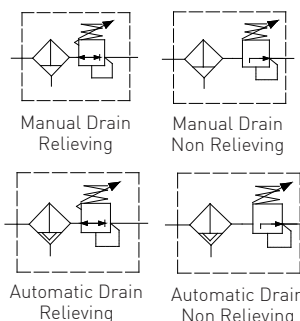


AISI316 3/4" - 1" Filter Regulator – FR serie

Filtro regolatore da 3/4" – 1" in AISI316 – serie FR

- Suitable for automation equipment to onshore, offshore, pharmaceutical, medical and food applications
- Full material traceability
- Excellent stability and repeatability
- Accurate adjustment and high flow capacity
- ATEX 2014/34/UE - II2GD c IICT6 X^(Ex) / IP66
-  approved / SIL 3 - IEC 61508 
- Adatto per automazione in applicazioni marine, petrolchimiche, farmaceutiche, medicali e alimentari
- Completa rintracciabilità dei materiali
- Eccellente stabilità e ripetibilità
- Precise regolazioni ed elevate portate
- ATEX 2014/34/UE - II2GD c IICT6 X^(Ex) / IP66
- Approvato  ed  / SIL 3 - IEC 61508 



Media / Fluido	Compressed air, inert gases, sweet and sour gases
Port thread / Connessioni	3/4" - 1" NPT
Gauge Connection Connessione manometro	1/4" NPT (1/8" NPT option)
Filtering element Elemento filtrante	stainless steel 25micron standard
Max inlet pressure / Pressione massima di ingresso	30bar
Drain valve/ Scarico condensa	Manual or automatic
Flow rate (@10bar inlet, 6bar regulated, delta P=1bar)/ Portata	11500dm³/min Cv=11.5
Working temperature / Temperatura di esercizio	-20°C up to 80°C (NBR); -25°C up to 90°C (FKM); -40°C up to 80°C (EPDM) *
Regulated pressure Pressioni regolate	0/2, 0/4, 0/8, 0/10bar

Air supply must be dry enough to avoid ice formation at temperatures below +2°C (+35°F).

*Special version available for -55°C up to 90°C

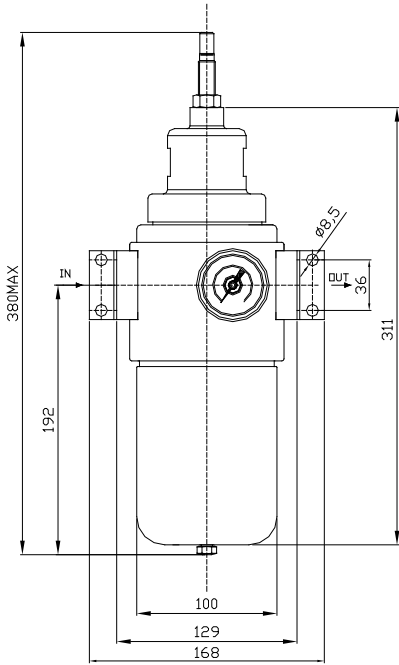
It provides excellent regulation and filtering for a wide range of applications. Rugged and corrosion-resistant – made of 316L stainless steel / Permette un'accurata regolazione e filtraggio per una vasta gamma di applicazioni. Robusto e resistente alla corrosione – costruito in acciaio inossidabile 316

BUILDING MATERIALS	Materiali costruttivi
Body, bonnet, bowl and internals in stainless steel AISI316 L top NACE MR 0175	Corpo, coperchio, tazza ed interni in acciaio inossidabile AISI316L conforme ai requisiti dello standard NACE MR0175
Adjustment screw, lock and panel nuts, fixing screws AISI316 stainless steel	Vite di regolazione, dadi di bloccaggio e pannello, viti di fissaggio in acciaio inossidabile AISI316
Diaphragm and valve assembly in elastomer and AISI316 stainless steel	Assieme diaframma ed assieme valvola in elastomero ed acciaio inossidabile AISI316
Filtering element in AISI316 stainless steel	Elemento filtrante in acciaio inossidabile AISI316
Valve spring, Adjustment spring in AISI316 stainless steel	Molle valvola e di regolazione in acciaio inossidabile AISI316
Seals in elastomer	Guarnizioni in elastomero

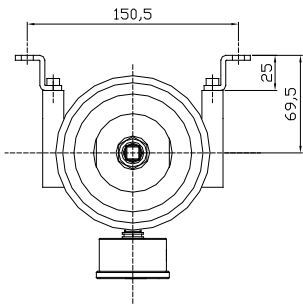
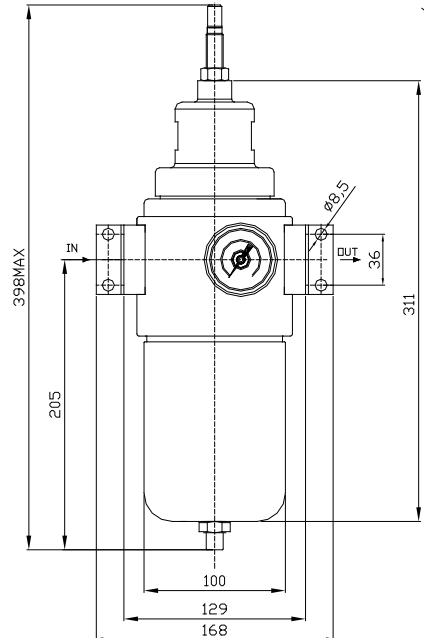
Overall dimension

Dimensioni di ingombro

Manual drain
Scarico manuale



Automatic drain
Scarico automatico

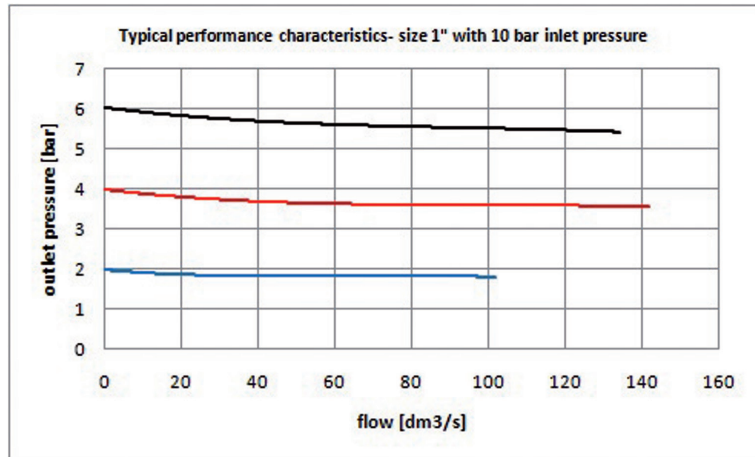


Max inlet pressure for automatic drain 16bar

Massima pressione di ingresso con scarico automatico 16bar

FR12 A = 3/4"

FR16 A = 1"



Accessories and repair kit

Accessori e ricambi

Maintenance kit / Kit manutenzione	K-FR12-0-SS-** [3/4"] K-FR16-0-SS-** [1"]
Pressure gauge DN40mm, all SS, Bar+psi+kpa range / Manometro DN40mm, tutto inox, scala Bar+psi+kpa	0-2,5 bar MBS6P4S2PN04 0-4bar MBS6P4S2PN05 0-10bar MBS6P4S2PN07
Bracket and lock nut / Staffa e Dado	R-16-STSS

* Refers to filter element option: 1→5 micron 2→25 micron 3→40 micron 4→coalescing

** Refers to seals type:

FK→FKM NB→NBR LT→EPDM FL→Low temperature compound HN→HNBR

Ordering information

Come ordinare

TYPE	SIZE	RANGE	ACCESSORIES
F= Filter FR= Filter Regulator R= Regulator FM= Mini-filter* TF= Tee Filter* BP= Back Pressure* SV= Switch Valve 2/2* S3= Switch Valve 3/2* * (only 1/4"NPT)	04= 1/4" NPT* 06= 3/8" NPT 08= 1/2" NPT 12= 3/4" NPT 16= 1" NPT 20= 1" 1/4"NPT 24= 1" 1/2"NPT 32= 2"NPT	0= None 1= 0.2-2 bar 2= 0.2-4 bar 3= 0.4-8 bar 4= 0.4-10 bar 6= 4-25 bar 7= 4-35 bar	0= None 2= SS bracket kit 3= Panel nut&handwheel 4= Customised Tag 5= SS bracket kit + nut&hanwheel 6= SS bracket kit+custom.Tag 8= CS bracket kit

FR 06 3 1 1S 5 6 SS FK 2 # #

FILTER ELEMENT

- 0= None
- 1= 5 micron
- 2= 25 micron
- 3= 40 micron
- 4= coalescing

PRESSURE GAUGE

- 0= None
- 1S= AISI316 case (SS316 connection)
- 1B= AISI304 case (brass connection)

OPTION

- 00= None
- 05= No relieving
- 06= 1/4" gauge port
- 07= Automatic drain
- 56= No relieving 1/4" gauge port
- 57= No relieving Automatic drain
- 67= 1/4" gauge port Automatic drain
- X= Special

DIAPHRAGM & SEALS MATERIAL

- FK= FKM (WT-25° +90°C)
- NB= NBR (WT-20° +80°C)
- LT= EPDM (WT-40° +80°C)
- FL= Special compound (WT-55°+90°C)
- HN= HNBR (WT from -55°) suitable for gas

MATERIAL

- SS= 316-316L Stainless steel
- AL= Copper free aluminum alloy
- SP= Special

CODE EXAMPLES



3/8"NPT, SS316, 0 to 8 bar range, filter regulator, with 40 micron filtering element, relieving, SS pressure gauge, automatic drain, ss bracket kit and FKM diaphragm & seals
 Filtro regolatore da 3/8"NPT in AISI316, range regolato 0/8 bar, elemento filtrante da 40 micron, manometro tutto inox, relieving, scarico condensa automatico, staffa inox, diaframma e tenute in FKM



3/8"NPT, SS316, 0 to 8 bar range, filter regulator, with 5 micron filtering element, relieving and FKM diaphragm & seals
 Filtro regolatore da 3/8"NPT in AISI316, range regolato 0/8 bar, elemento filtrante da 5 micron, relieving, diaframma e tenute in FKM



Distributor:



De Gidts & Feldman BV
 The Netherlands
 www.dgf.nl