




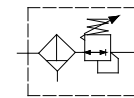


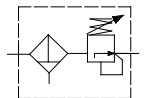
## Aluminum alloy 1/4" NPT Filter Regulator – FR serie

Filtro Regolatore da 1/4" NPT in lega di alluminio – serie FR

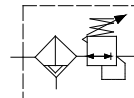
- Suitable for automation equipment to onshore, offshore, pharmaceutical, medical and food applications
- Full material traceability
- Excellent stability and repeatability
- Accurate adjustment and high flow capacity
- ATEX 2014/34/UE - II2GD c IICT6 X<sub>Ex</sub> / IP66
-  approved / SIL - IEC 61508 
- Adatto per automazione in applicazioni marine, petrolchimiche, farmaceutiche, medicali e alimentari
- Completa rintracciabilità dei materiali
- Eccellente stabilità e ripetibilità
- Precise regolazioni ed elevate portate
- ATEX 2014/34/UE - 2GD c IICT6 X<sub>Ex</sub> / IP66
- Approvato  ed  / SIL - IEC 61508 



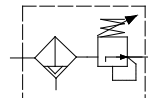
Manual Drain Relieving



Manual Drain Non Relieving



Automatic Drain Relieving



Automatic Drain Non Relieving

Media / Fluido	Compressed air, inert gases, sweet and sour gases
Port thread / Conessioni	1/4" NPT
Gauge Connection Connessione manometro	1/8" NPT (1/4" NPT option)
Max inlet pressure Pressione massima di ingresso	25bar
Filtering element Elemento filtrante	5 micron in ss316 std (25 & 40 micron in st. st. 316 available)
Drain valve / Scarico condensa	Manual or automatic
Flow Rate (@10 bar inlet, 6bar regulated, delta P=1bar) / Portata	940dm <sup>3</sup> /min Cv=0.9
Working Temperature Temperatura di esercizio	-20°C up to 80°C (NBR); -25°C up to 90°C (FKM); -40°C up to 80°C (EPDM) *
Regulated pressure Pressioni regolate	0/2, 0/4, 0/8, 0/10bar

Air supply must be dry enough to avoid ice formation at temperatures below +2°C (+35°F).

\*Special version available for -55°C up to 90°C

It provides excellent regulation and filtering for a wide range of applications. Rugged and corrosion-resistant – made of aluminum alloy and SS AISI304/316. Compact small package size / Permette un'accurata regolazione e filtraggio per una vasta gamma di applicazioni. Robusto e resistente alla corrosione – Costruito lega di alluminio ed AISI316 - Dimensioni di ingombro ridotte

BUILDING MATERIALS	Materiali costruttivi
Body, bonnet, bowl in tropicalized copper free aluminum alloy, internals in stainless steel AISI304/316	Corpo, coperchio, tazza in lega di alluminio esente rame tropicalizzata, particolari interni in AISI304/316
Bracket, lock and panel nuts, fixing screws in AISI316 stainless steel or galvanized steel	Vite di regolazione, staffa, dadi di bloccaggio e pannello, viti di fissaggio in acciaio inossidabile AISI316 od acciaio galvanizzato
Diaphragm and valve assembly in elastomer and AISI316 stainless steel	Assieme diaframma ed assieme valvola in elastomero ed acciaio inossidabile AISI316
5, 25&40micron filtering element in sinterized AISI316 ss; Coalescing filtering element in bonded micro-fibre	Elementi filtranti da 5, 25 e 40micron in AISI316 sinterizzato; elemento filtrante a coalescenza in micro-fibra
Valve spring, adjustment spring in AISI316SS or galvanized steel	Molle valvola e di regolazione in AISI316 od acciaio galvanizzato
Elastomeric seals	Guarnizioni elastomeriche

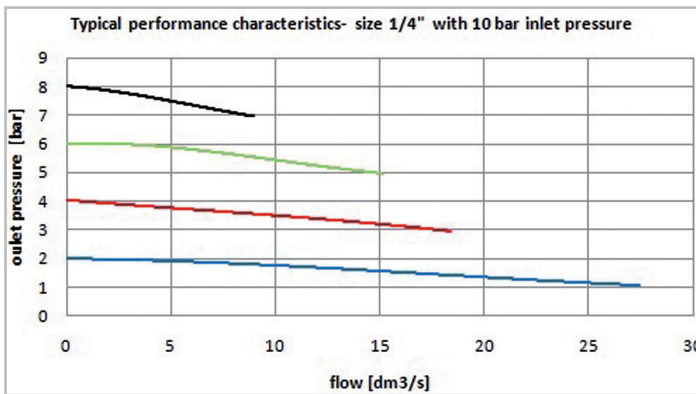
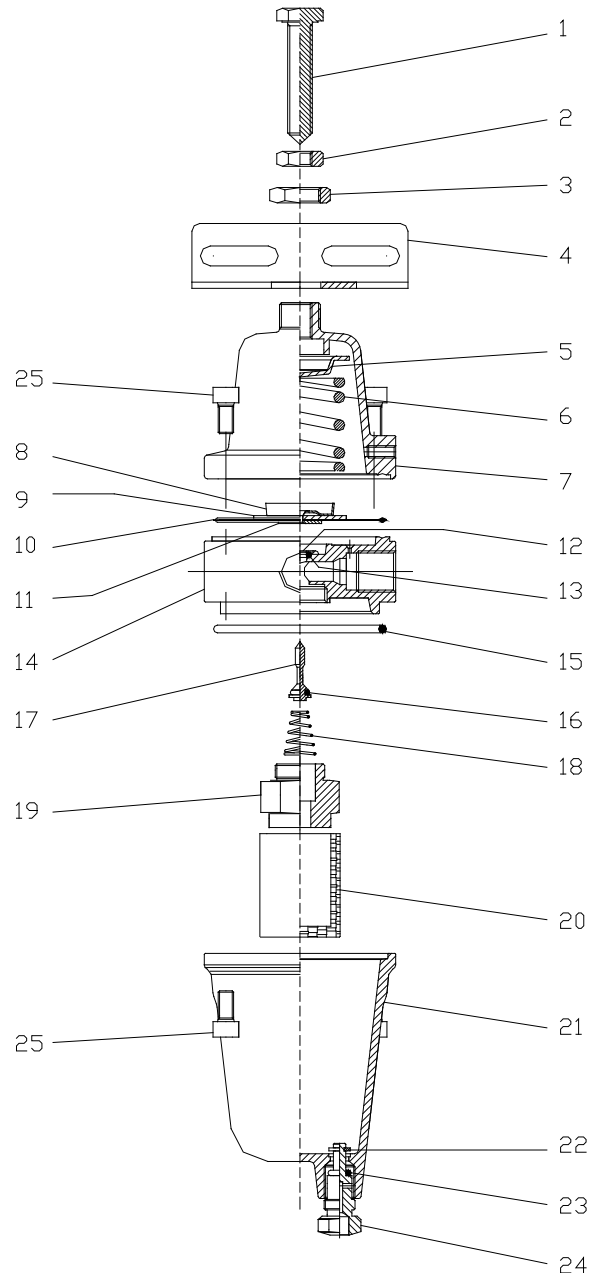
www.sitecna.eu

## Item description

Descrizione item

### Pos. Description - Descrizione

1. Adjusting screw / Vite di regolazione
2. Lock nut / Dado bloccaggio vite
3. Panel nut / Dado staffa
4. Bracket / Staffa
5. Upper spring rest / Sede superiore molla
6. Spring / Molla di regolazione
7. Bonnet / Coperchio
8. Lower spring guide / Guida molla inferiore
9. Lower spring rest / Sede inferiore molla
10. Diaphragm / Diaframma
11. Valve seat / Sede valvola
12. Ring / Arresto
13. O'ring valve steam / O'ring guida valvola
14. Body Corpo
15. O'ring (bowl) / O'ring tazza
16. O'ring (valve) / O'ring valvola
17. Valve / Corpo valvola
18. Spring valve / Molla valvola
19. Filter element support / Supporto elemento filtrante
20. Element / Elemento filtrante
21. Bowl / Tazza
22. Ring / Anello benzin
23. O'ring (drain) / O'ring rubinetto
24. Manual drain / Rubinetto di scarico
25. Screw (M5x8) Vite di fissaggio M5x8



## Accessories and repair kit

Accessori e ricambi

Maintenance kit / Kit manutenzione [1/4"]	Items K-FR04-* -AL-**
Pressure gauge DN40mm, SS case, Bar+psi+kpa range / Manometro DN40mm, cassa inox, scala Bar+psi+kpa	0-2bar MBSNP4S2PN3S 0-4bar MBSNP4S2PN05 0-10bar MBSNP4S2PN07
Bracket and lock nut / Staffa e Dado	SQ-FR04

\* Refers to filter element option: 1→5 micron 2→25 micron 3→40 micron 4→coalescing

\*\* Refers to seals type:

FK→FKM NB→NBR LT→EPDM FL→Low temperature compound HN→HNBR

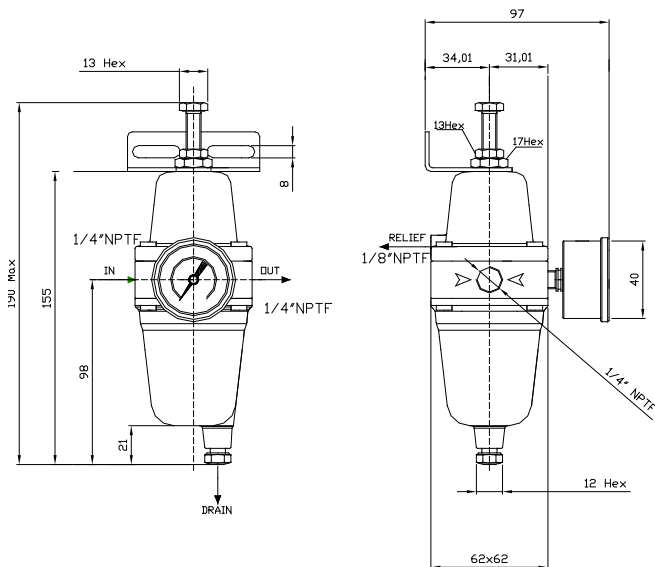
BT-FR4AL/C17B

## Overall dimension

Dimensioni di ingombro

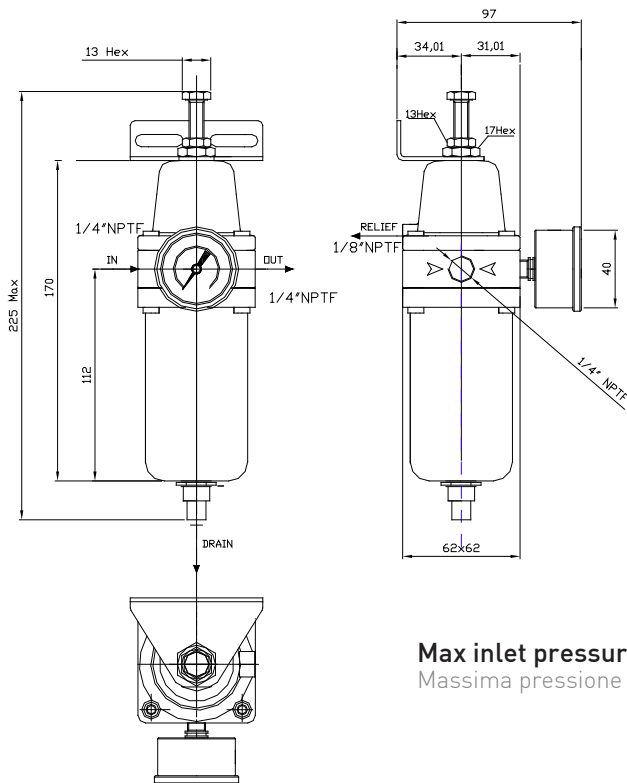
### Manual drain

Scarico manuale



### Automatic drain

Scarico automatico

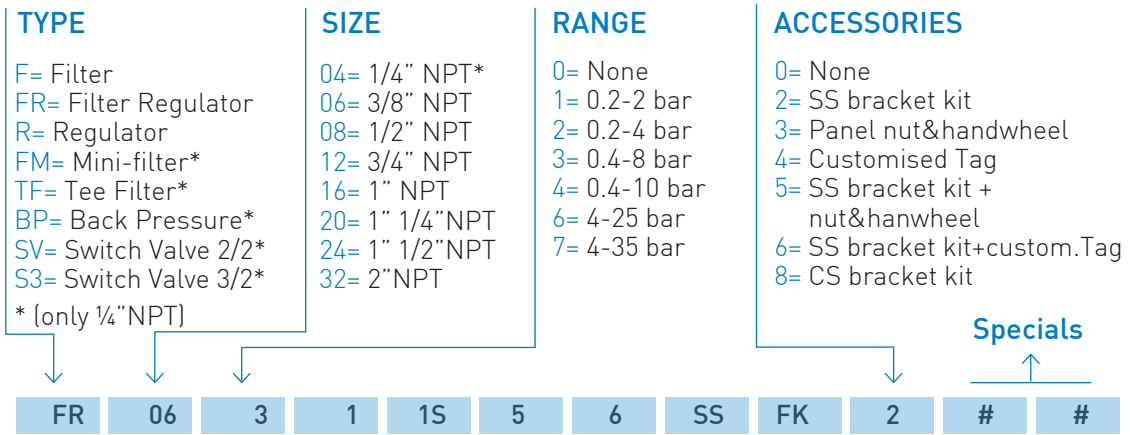


**Max inlet pressure for automatic drain 16bar**

Massima pressione di ingresso con scarico automatico 16bar

# Ordering information

## Come ordinare



FR 06 3 1 1S 5 6 SS FK 2 # #

**FILTER ELEMENT**

- 0= None
- 1= 5 micron
- 2= 25 micron
- 3= 40 micron
- 4= coalescing

**PRESSURE GAUGE**

- 0= None
- 1S= AISI316 case (SS316 connection)
- 1B= AISI304 case (brass connection)

**OPTION**

- 00= None
- 05= No relieving
- 06= 1/4" gauge port
- 07= Automatic drain
- 56= No relieving 1/4" gauge port
- 57= No relieving Automatic drain
- 67= 1/4" gauge port Automatic drain
- X= Special

**DIAPHRAGM & SEALS MATERIAL**

- FK= FKM (WT-25° +90°C)
- NB= NBR (WT-20° +80°C)
- LT= EPDM (WT-40° +80°C)
- FL= Special compound (WT-55°+90°C)
- HN= HNBR (WT from -55°) suitable for gas

**MATERIAL**

- SS= 316-316L Stainless steel
- AL= Copper free aluminum alloy
- SP= Special

**CODE EXAMPLES**



**3/8"NPT, SS316, 0 to 8 bar range, filter regulator, with 40 micron filtering element, relieving, SS pressure gauge, automatic drain, ss bracket kit and FKM diaphragm & seals**

Filtro regolatore da 3/8"NPT in AISI316, range regolato 0/8 bar, elemento filtrante da 40 micron, manometro tutto inox, relieving, scarico condensa automatico, staffa inox, diaframma e tenute in FKM



**3/8"NPT, SS316, 0 to 8 bar range, filter regulator, with 5 micron filtering element, relieving and FKM diaphragm & seals**

Filtro regolatore da 3/8"NPT in AISI316, range regolato 0/8 bar, elemento filtrante da 5 micron, relieving, diaframma e tenute in FKM



**Distributor:**

**De Gidts & Feldman**  
INSTRUMENTATION & FILTRATION

**De Gidts & Feldman BV**  
**The Netherlands**  
**www.dgfg.nl**