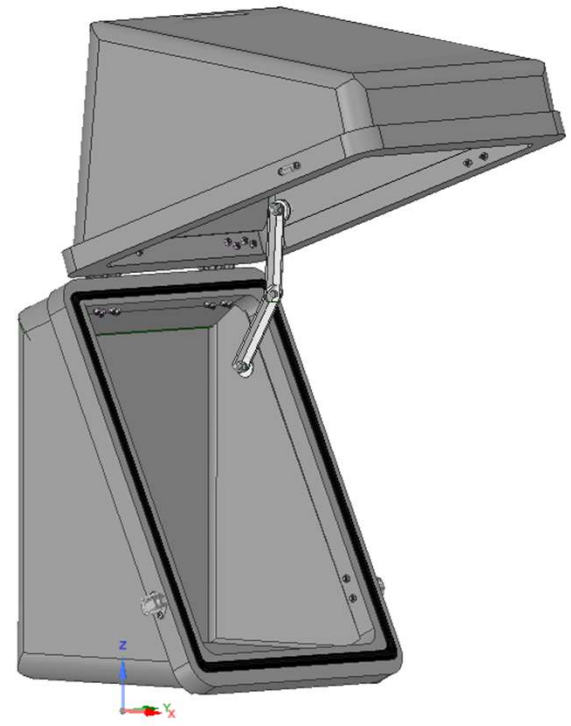
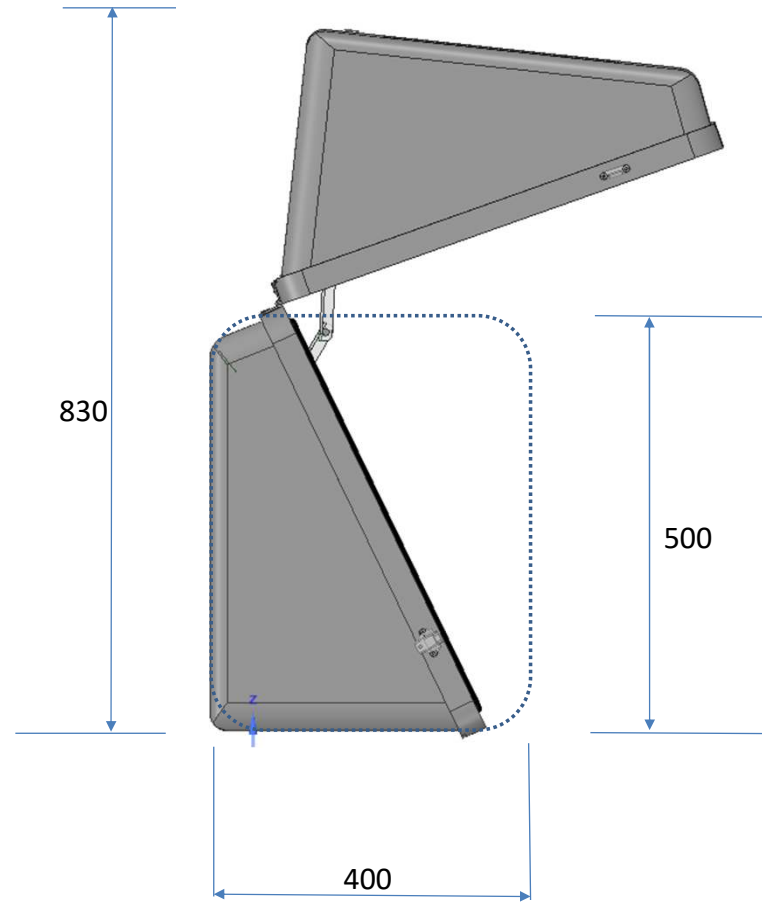
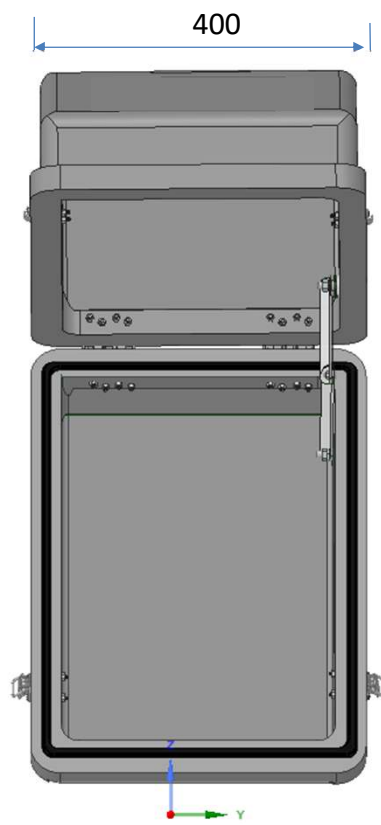


6 5 4 3 2 1



	DE GIDTS & FELDMAN BV IMPERIAL VALVE BV ANAPARTS BV VIRAGO VALVES BV <small>QUALITY THROUGH EXPERIENCE</small>	Status:	Scale:	Customer:
	designed by: _____ checked by: _____ Article-No.: 22-1A	Date: _____ Name: D.P JVL	Description: ENCLOSURE ANTI STATIC INSULATED.	
Drawing-No.: DPGF211030	Sheet: 1 of: 1 Size: A3	This drawing is the property of DP Systems. It shall not be copied or submitted to outside parties without our written consent. All dimension tolerances are according to ISO 2768-medium unless otherwise specified. Test dimensions for internal use only.		
REV Modification Date Name	3	2	1	1

6 5 4 3 2 1