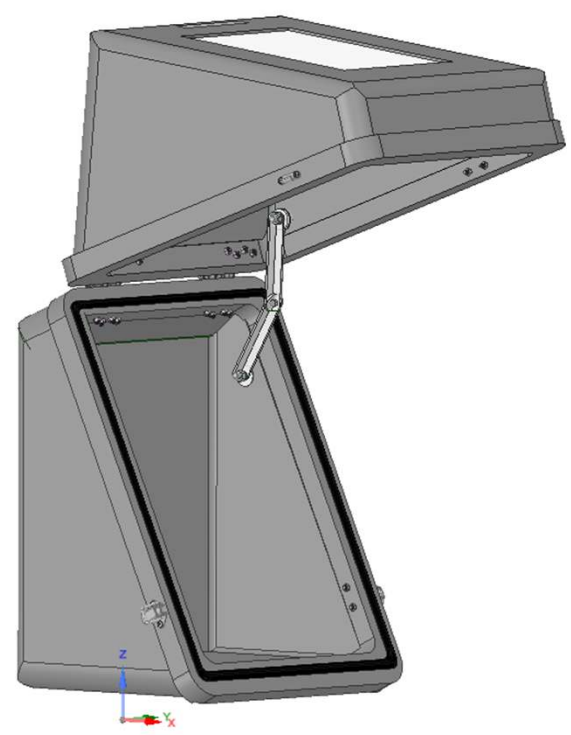
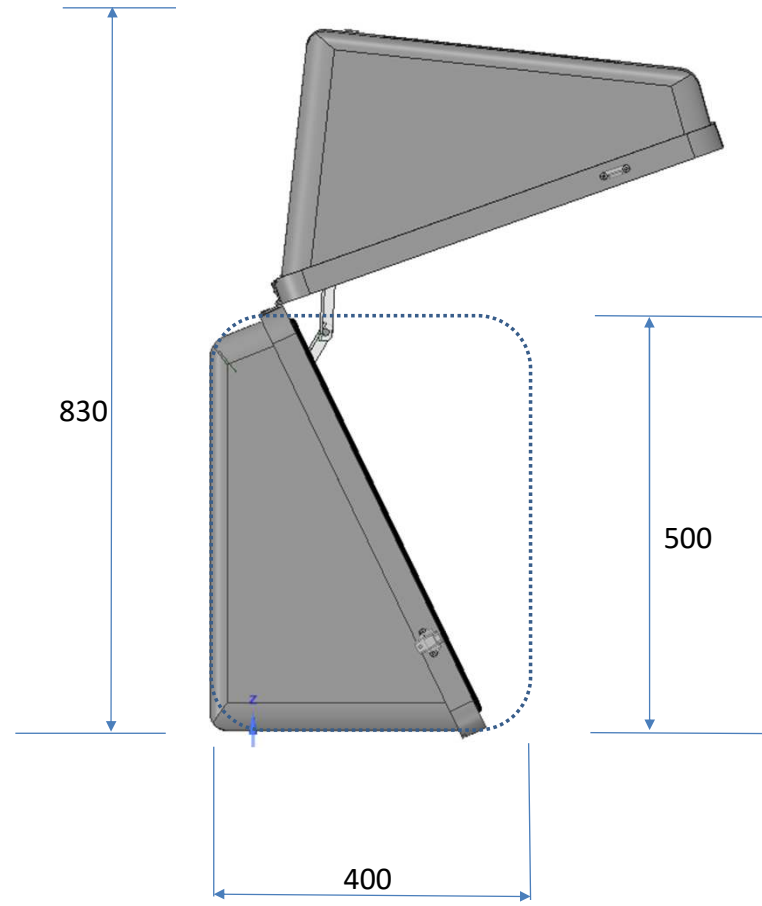
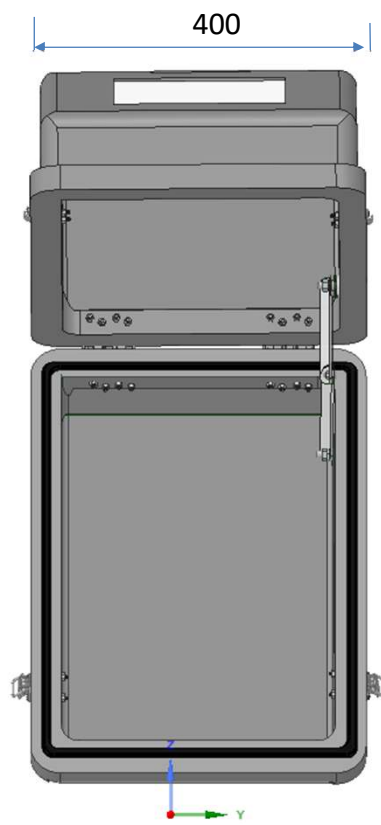


6 5 4 3 2 1



	DE GIDTS & FELDMAN BV IMPERIAL VALVE BV ANAPARTS BV VIRAGO VALVES BV	Status:	Scale:	Customer:
	QUALITY THROUGH EXPERIENCE	Date:	Name:	Description: ENCLOSURE ANTI STATIC INSULATED. WINDOW
designed by:			D.P	Drawing-No.: DPGF210930
checked by:			JVL	
Article-No.: 22-1A-W				Sheet: 1 of: 1 Size: A3
REV Modification Date Name				This drawing is the property of DP Systems. It shall not be copied or submitted to outside parties without our written consent. All dimension tolerances are according to ISO 2768-medium unless otherwise specified. Test dimensions for internal use only.

6 5 4 3 2 1