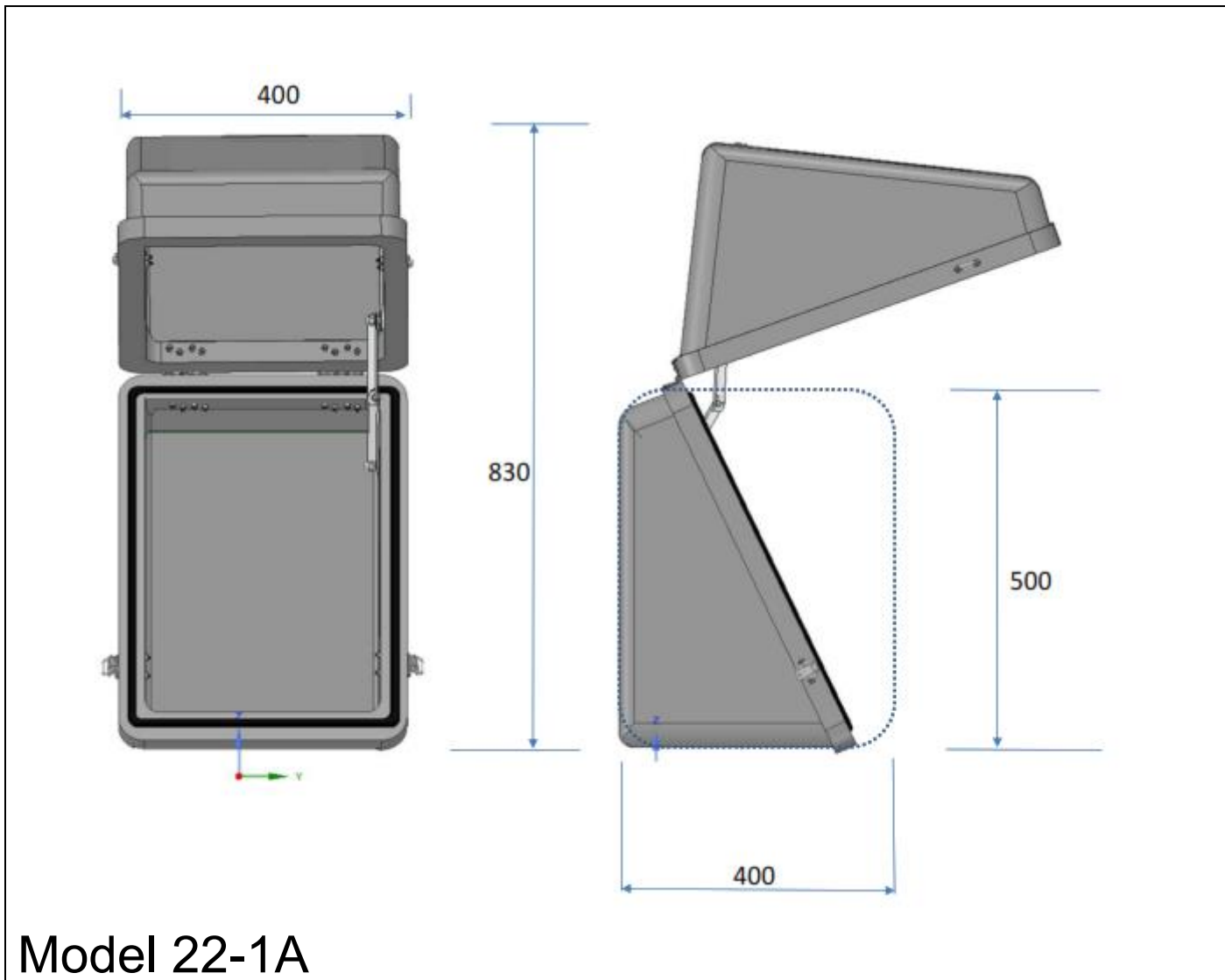


Model 22-1A and Model 44-1A

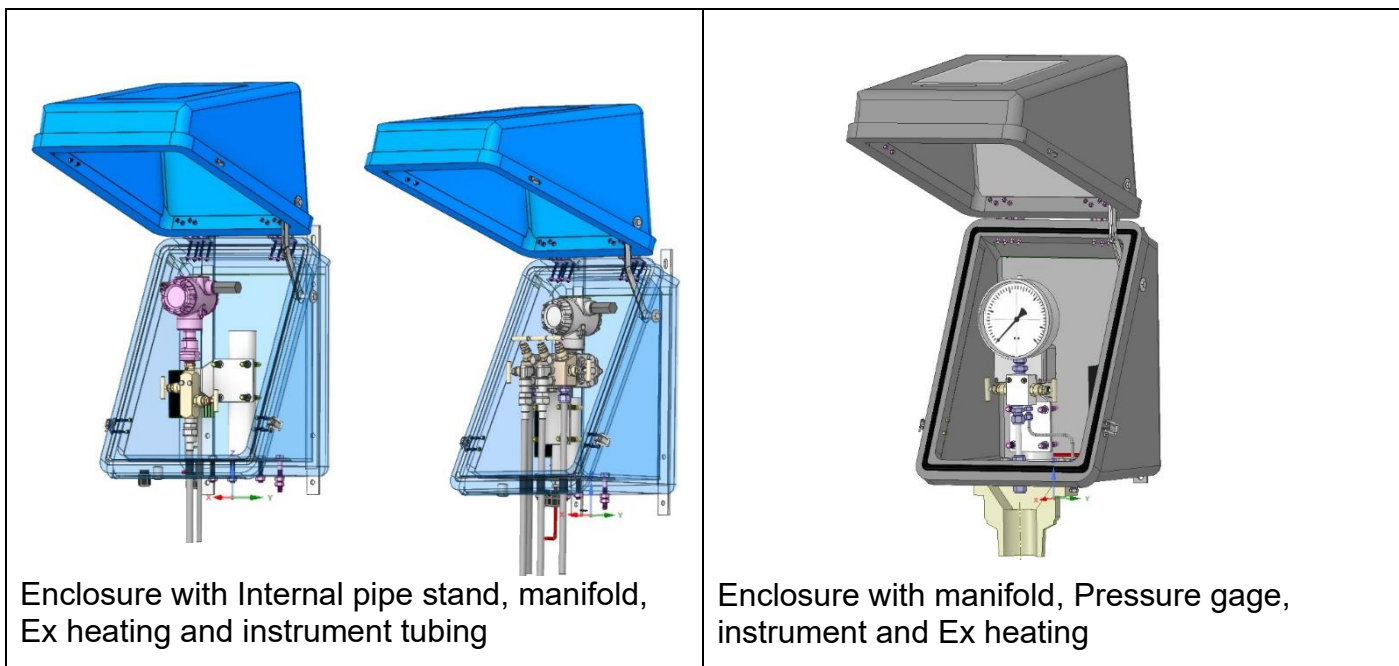
Instrument enclosure for single or double/triple instruments

Standard materials	
Material	PURSI (basis of polyurethane) high-performance material
General Properties	corrosion resistant, non absorption of hydrocarbons, resists almost all chemicals in industrial environments, acids, and alkalis. Very stable.
Protection rating	IP65 according to BS 5490/IEC 529
Temperature range	-55°C to + 80°C
Impact resistant	BS 5501
Area classification	ATEX II3G Ex IIC T4
Fire retardant	BS476 part 7 class 2 and self extinguishing (class 1)
Anti static	BS5501 (in case of standard colour dark grey) Conductivity Minimum $10^{-7}\Omega$
Wall Thickness	15mm, which offers perfect thermal insulation for very low ambient temperatures, additional insulation is NOT required.
Accuracy	100% in dimensions
Type	split diagonal design (two-parts) for easy opening and creates easy accessibility to the installed instruments.
Surface finish	satin gloss external (UV resistant) and internal finish
Colour	Standard Dark grey, similar to RAL 7016 (BS4800, 10-A-03) , other colours upon request

MODEL DIMENSIONS

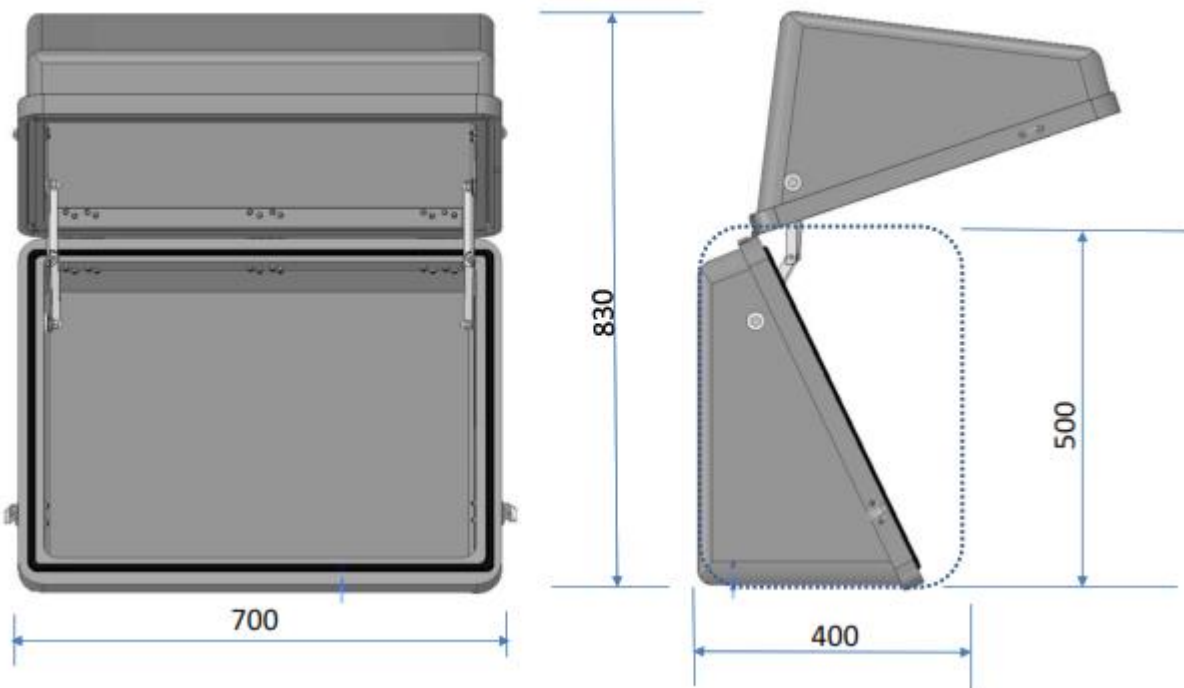


Model 22-1A

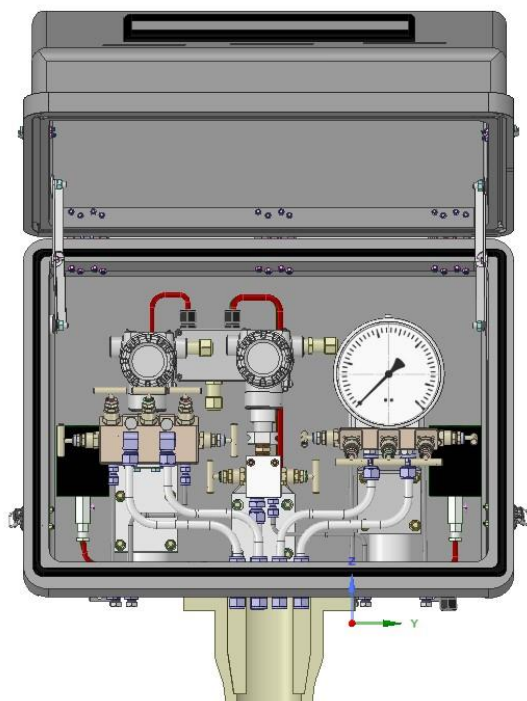


Enclosure with Internal pipe stand, manifold, Ex heating and instrument tubing

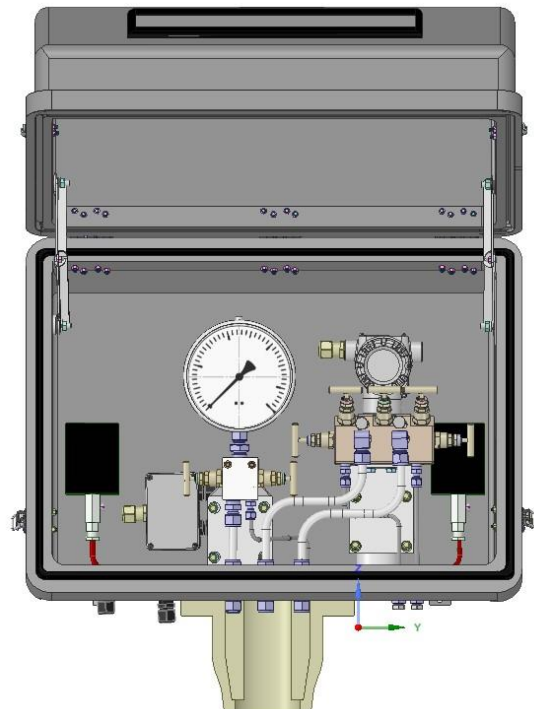
Enclosure with manifold, Pressure gage, instrument and Ex heating



Model 44-1A



Enclosure with Internal pipe stands, 3 manifolds, Ex heating and instrument tubing



Enclosure with Internal pipe stands, 2 manifolds, instruments and Ex heating

Enclosure type

- 22 Single instrumented Enclosure (Diagonal design), IP65, dim. 400x400x500mm (WxDxH)
- 44 Double instrumented Enclosure (Diagonal design), IP65, dim. 700x400x500mm (WxDxH)
- 66 Half Body GRP enclosure for H-Profile solutions, IP65, dim. 310x250x180mm (WxDxH)
- 77 Half Body GRP enclosure for flanged Pressure solutions, IP65, dim. 350x220x400mm (WxDxH)
- 88 Half Body GRP enclosure for Flanged Level solutions, IP65, dim. 350x230x250mm (WxDxH)

Enclosure size

- 1 *Standard size (obsolete)*
- 1A large size (standard size)

Window option

- W Safety glass window

Insulation option

Standard included, not specifically mentioned or coded due to a 15mm thickness wall

General options, internal and external

- AS Anti Static (colour dark grey only)
- IP Internal Post, SS316
- BM Base Mounted, 2" pipe receiver, SS316, incl Earth screw
- RMV Rear mounting vertical strips
- RMH Rear mounting horizontal strips
- L Louvre
- JB Junction Box
- HE Heater Electrical
- HS Heater steam
- CJ Cable entries / glands
- ES Earthing straps
- W Safety glass window
- S1 Capillary PT pass through wall (single Capillary)
- S2 Capillary DPT pass through wall (double Capillary)

Colour options

- no option Enclosure colour Dark Grey (standard colour)
- (RAL 7035) Enclosure colour Light Grey
- (RAL 7001) Enclosure colour Silver grey
- (RAL 5015) Enclosure colour Sky Blue

PROJECT EXAMPLES



For additional instrumentation services , procurement and assembly of your instruments please contact our sales office : sales@dgfg.nl